

TECHNICAL DATA

Electrical

Impedance	50 Ω
Frequency range	0~18 GHz
VSWR	1.25:1
Average Power	2W

Mechanical & Environmental

Durability (matings)	>500
Temperature range	-55 °C ~ +125 °C
RoHS Compliant	Yes

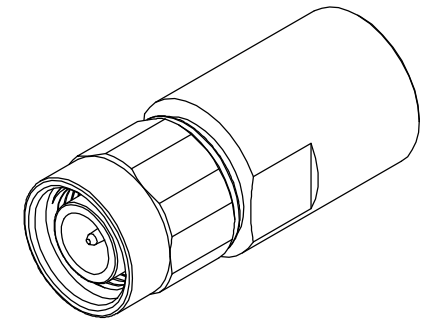
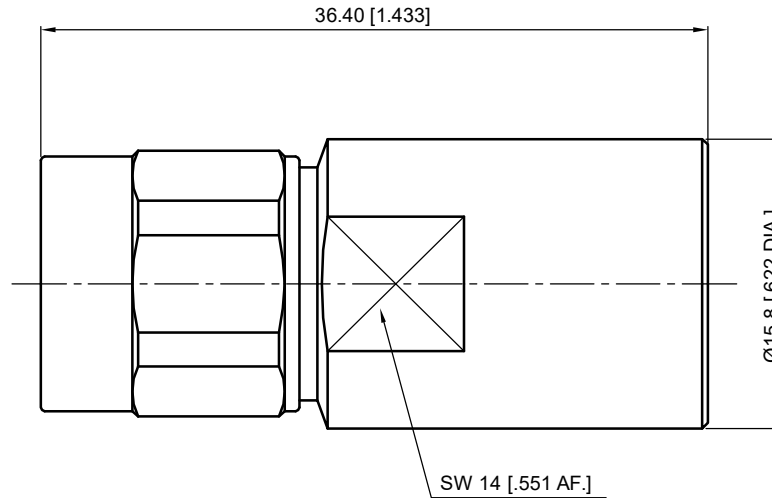
Material & Finish

Body	Stainless Steel (SU303), Passivated
Pin Contact	Beryllium Copper Alloy, Gold-plated
Coupling nut	Stainless Steel (SU303), Passivated

Interface Standards

TNCA	MIL-STD-348A
------	--------------

REVISIONS				
REV	DESCRIPTION OF REVISION	ECN No.	DATE	APPROVED
A	INITIAL RELEASE	—	11/06/2015	M. Dong



NOTES:

1. ALL SPECIFICATIONS ARE SUBJECT TO CHANGE WITHOUT NOTICE AT ANY TIME
2. UNLESS OTHERWISE SPECIFIED ALL DIMENSIONS ARE NOMINAL.

UNLESS OTHERWISE SPECIFIED, DIMENSIONS ARE IN MILLIMETERS [INCHES].
UNLESS OTHERWISE SPECIFIED DIMENSIONAL TOLERANCES ARE:

.XX	±0.13 [.005"]
.X	±0.20 [.008"]
X	±0.50 [.019"]

ANGULAR TOLERANCES ARE: ALL= ±1°

DO NOT SCALE DRAWING

PROJECTION:

DRAWN:	L. Ma	11/06/2015
CHECKED:	J. Zhu	11/06/2015
APPROVED:	M. Dong	11/06/2015

TITLE:
Precision TNCA Male Termination, 2W, 18GHz



Cmppter Electronics Co., Ltd. www.cmppter.com

PART No.:
TP-TNCAM-013

SIZE: A4	SCALE: 2.5:1	SHEET: 1/1	REV: A
-------------	-----------------	---------------	-----------