

REV	DESCRIPTION OF REVISION	ECN No.	BY	DATE	APPROVED
A	INITIAL RELEASE	—	L. Ma	05/15/10	05/15/10

TECHNICAL DATA

Electrical data

Impedance	50 Ω
Frequency range	0~33 GHz
VSWR	1.15:1

Mechanical data

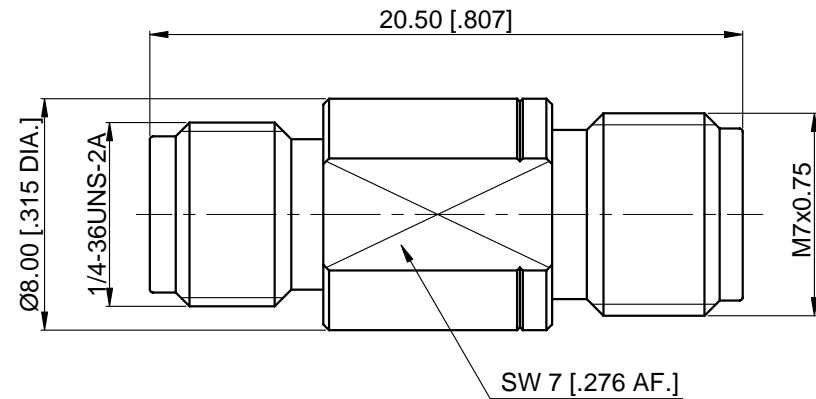
Temperature range	-55 °C ~ +165 °C
Durability (matings)	>500

Material data

Body	Stainless Steel (SU303), Passivated
Pin Contact	Beryllium Copper Alloy, Gold-plated
Insulator	PEI


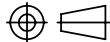
Interface Standards

3.5mm	IEC-60169
2.4mm	IEEE STD 278-2007



NOTES:

- ALL SPECIFICATIONS ARE SUBJECT TO CHANGE WITHOUT NOTICE AT ANY TIME
- CUSTOMER OUTLINE DRAWING FOR REFERENCE ONLY

DRAWN: L. Ma 05/15/10	TITLE:	 www.cmppter.com			
ENGINEER: J. Zhu 05/15/10	Precision Adapter, 3.5mm Female to 2.4mm Female				
APPROVED: M. Dong 05/15/10		 DIMENSIONS IN MILLIMETERS (mm)			
TOLERANCE UNLESS OTHERWISE SPECIFIED					
X ±0.50 [.019"]	PART No.: P-3.5F-2.4F-135	SIZE:	SCALE:	SHEET:	REV:
.X ±0.20 [.008"]		A4	4:1	1/1	A
.XX ±0.10 [.004"]					
ANGLES ±1°					