

REV	DESCRIPTION OF REVISION	ECN No.	BY	DATE	APPROVED
A	INITIAL RELEASE	—	L. Ma	05/15/10	05/15/10

TECHNICAL DATA

■ Electrical data

Impedance	50 Ω
Frequency range	0~33 GHz
VSWR	1.15:1

■ Mechanical data

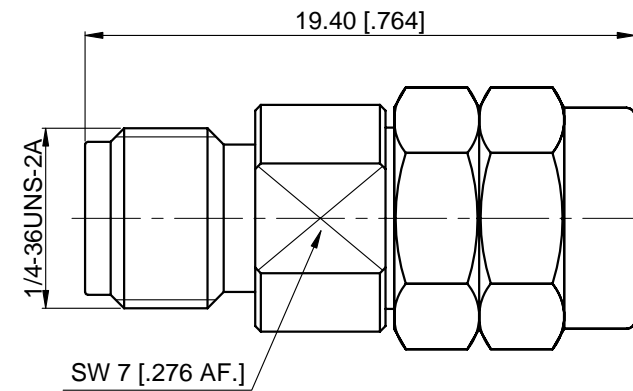
Temperature range	-55 °C ~ +165 °C
Durability (matings)	>500

■ Material data

Body	Stainless Steel (SU303), Passivated
Pin Contact	Beryllium Copper Alloy, Gold-plated
Insulator	PEI


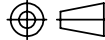
■ Interface Standards

3.5mm	IEC-60169
2.4mm	IEEE STD 278-2007



NOTES:

- ALL SPECIFICATIONS ARE SUBJECT TO CHANGE WITHOUT NOTICE AT ANY TIME
- CUSTOMER OUTLINE DRAWING FOR REFERENCE ONLY

DRAWN: L. Ma 05/15/10	TITLE:	 www.cmppter.com				
ENGINEER: J. Zhu 05/15/10	Precision Adapter, 3.5mm Female to 2.4mm Male					
APPROVED: M. Dong 05/15/10		 DIMENSIONS IN MILLIMETERS (mm)				
TOLERANCE UNLESS OTHERWISE SPECIFIED X ± 0.50 [.019"] .X ± 0.20 [.008"] .XX ± 0.10 [.004"] ANGLES $\pm 1^\circ$					PART No.: P-3.5F-2.4M-137	SIZE: A4