

REV	DESCRIPTION OF REVISION	ECN No.	BY	DATE	APPROVED
A	INITIAL RELEASE	—	L. Ma	05/15/10	05/15/10

## TECHNICAL DATA

### ■ Electrical data

Impedance	50 $\Omega$
Frequency range	0~33 GHz
VSWR	1.15:1

### ■ Mechanical data

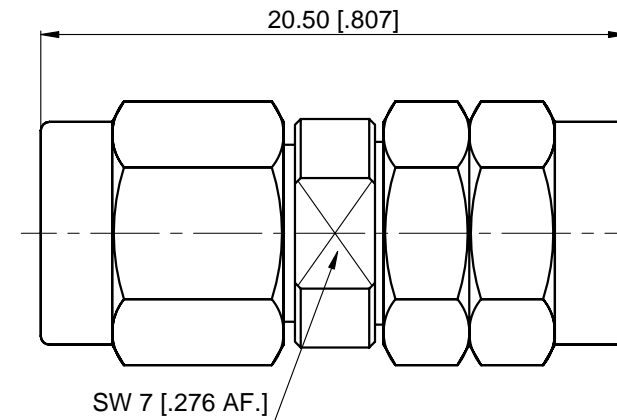
Temperature range	-55 °C ~ +165 °C
Durability (matings)	>500

### ■ Material data

Body	Stainless Steel (SU303), Passivated
Pin Contact	Beryllium Copper Alloy, Gold-plated
Insulator	PEI


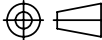
### ■ Interface Standards

3.5mm	IEC-60169
2.4mm	IEEE STD 278-2007



#### NOTES:

- ALL SPECIFICATIONS ARE SUBJECT TO CHANGE WITHOUT NOTICE AT ANY TIME
- CUSTOMER OUTLINE DRAWING FOR REFERENCE ONLY

DRAWN: L. Ma 05/15/10	TITLE:	 <a href="http://www.cmptter.com">www.cmptter.com</a>			
ENGINEER: J. Zhu 05/15/10	Precision Adapter, 3.5mm Male to 2.4mm Male				
APPROVED: M. Dong 05/15/10		 DIMENSIONS IN MILLIMETERS (mm)			
TOLERANCE UNLESS OTHERWISE SPECIFIED					
X ±0.50 [.019"] .X ±0.20 [.008"] .XX ±0.10 [.004"] ANGLES ±1°	PART No.: P-3.5M-2.4M-138	SIZE: A4	SCALE: 4:1	SHEET: 1/1	REV: A