

A B C D E F G H I J

REVISIONS				
REV	DESCRIPTION OF REVISION	ECN No.	DATE	APPROVED
A	INITIAL RELEASE	—	07/25/2017	M. Dong

### TECHNICAL DATA

#### Electrical

Impedance 50 Ω  
 Frequency range 0~40 GHz  
 VSWR 1.20:1

#### Mechanical & Environmental

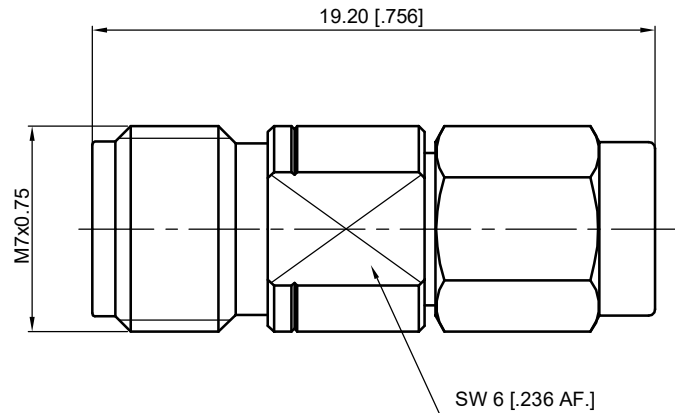
Durability (matings) >500  
 Temperature range -55 °C ~ +165 °C  
 RoHS Compliant Yes

#### Material & Finish

Body Stainless Steel (SU303), Passivated  
 Pin Contact Beryllium Copper Alloy, Gold-plated  
 Insulator PEI, PTFE

#### Interface Standards

2.4mm IEC61169  
 SSMA MIL-STD-348A



1

2

3

4

5

6

7

1

2

3

4

5

6

7

NOTES:

- ALL SPECIFICATIONS ARE SUBJECT TO CHANGE WITHOUT NOTICE AT ANY TIME
- UNLESS OTHERWISE SPECIFIED ALL DIMENSIONS ARE NOMINAL.

UNLESS OTHERWISE SPECIFIED, DIMENSIONS ARE IN MILLIMETERS [INCHES]. UNLESS OTHERWISE SPECIFIED DIMENSIONAL TOLERANCES ARE: .XX ±0.13 [0.005"] .X ±0.20 [0.008"] X ±0.50 [0.019"] ANGULAR TOLERANCES ARE: ALL= ±1° DO NOT SCALE DRAWING
PROJECTION:

DRAWN:	L. Ma	07/25/2017
CHECKED:	J. Zhu	07/25/2017
APPROVED:	M. Dong	07/25/2017

TITLE:  
**Precision Adapter, 2.4mm  
 Female to SSMA Male**

**CMP TER**®  
 Cmpter Electronics Co., Ltd. [www.cmpter.com](http://www.cmpter.com)

PART No.:  
**P-2.4F-SSMAM-322**

SIZE: A4	SCALE: 4:1	SHEET: 1/1	REV: A
----------	------------	------------	--------

A B C D E F G H I J