

REV	DESCRIPTION OF REVISION	ECN No.	BY	DATE	APPROVED
A	INITIAL RELEASE	—	L. Ma	06/02/10	06/02/10

## TECHNICAL DATA

### ■ Electrical data

Impedance	50 $\Omega$
Frequency range	0~40 GHz
VSWR	1.2:1

### ■ Mechanical data

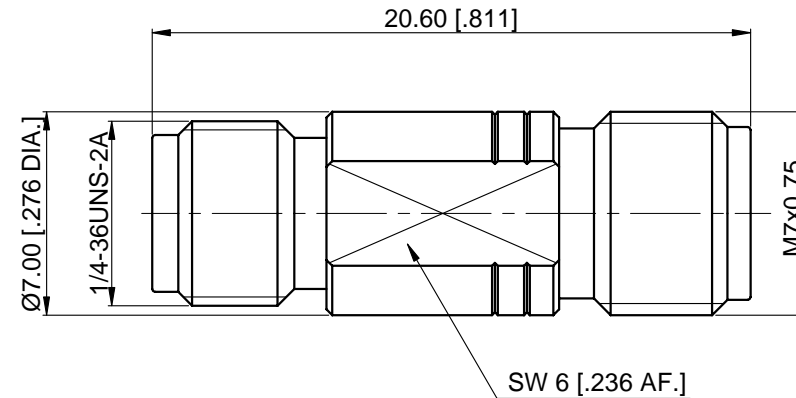
Temperature range	-55 °C ~ +165 °C
Durability (matings)	>500

### ■ Material data

Body	Stainless Steel (SU303), Passivated
Pin Contact	Beryllium Copper Alloy, Gold-plated
Insulator	PEI


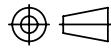
### ■ Interface Standards

2.92mm	MIL-STD-348A
1.85mm	IEC-61169



#### NOTES:

1. ALL SPECIFICATIONS ARE SUBJECT TO CHANGE WITHOUT NOTICE AT ANY TIME
2. CUSTOMER OUTLINE DRAWING FOR REFERENCE ONLY

DRAWN: L. Ma 06/02/10 ENGINEER: J. Zhu 06/02/10 APPROVED: M. Dong 06/02/10	TITLE: <b>Precision Adapter, 2.92mm          Female to 1.85mm Female</b>	 <a href="http://www.cmptter.com">www.cmptter.com</a>
TOLERANCE UNLESS OTHERWISE SPECIFIED X           ±0.50 [.019"] .X          ±0.20 [.008"] .XX         ±0.10 [.004"] ANGLES   ±1°	 DIMENSIONS IN MILLIMETERS (mm)	
PART No.: P-2.92F-1.85F-152	SIZE: A4	SCALE: 4:1
	SHEET: 1/1	REV: A