

REV	DESCRIPTION OF REVISION	ECN No.	BY	DATE	APPROVED
A	INITIAL RELEASE	—	L. Ma	06/01/10	06/01/10

TECHNICAL DATA

■ Electrical data

Impedance	50 Ω
Frequency range	0~40 GHz
VSWR	1.2:1

■ Mechanical data

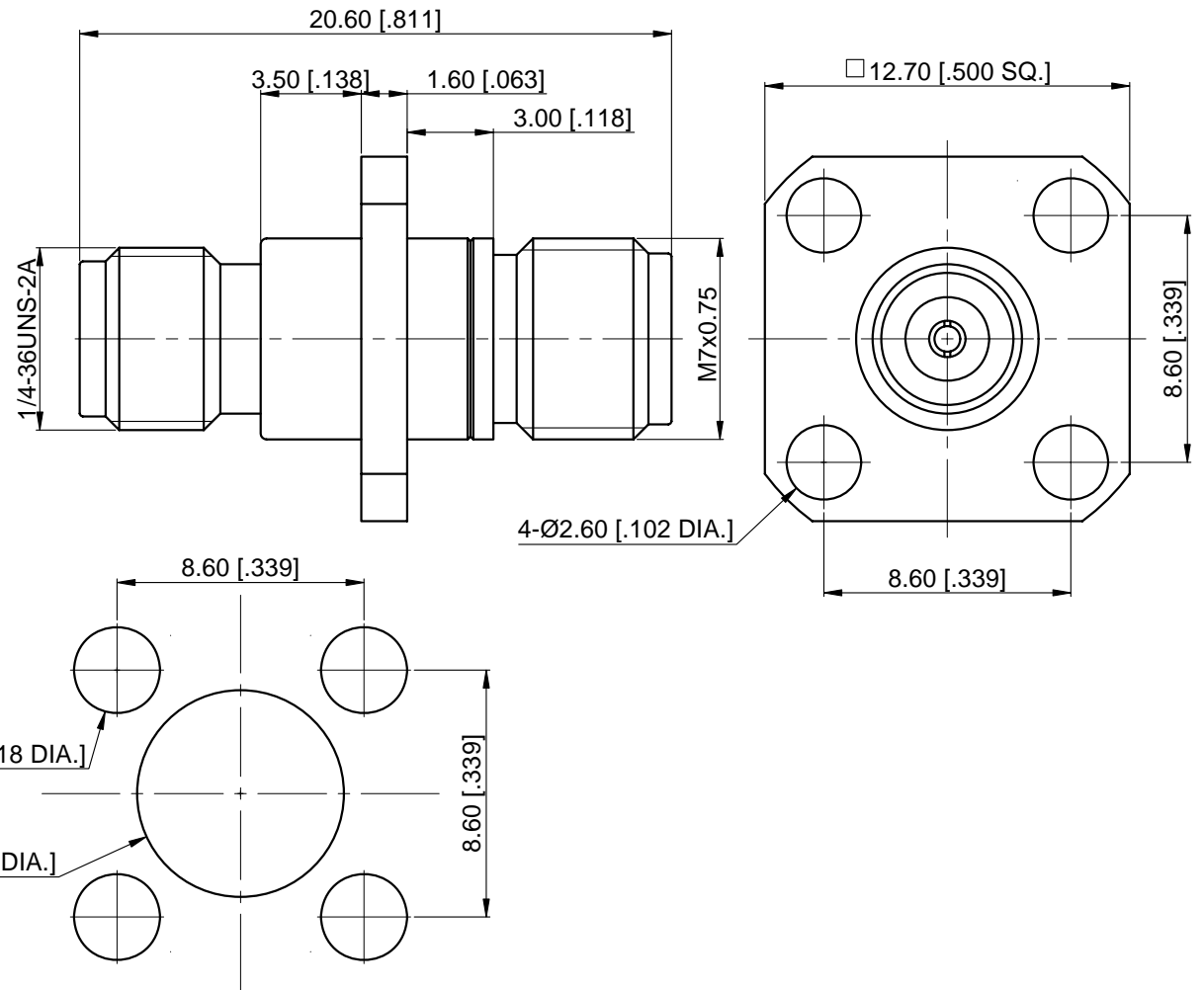
Temperature range	-55 °C ~ +165 °C
Durability (matings)	>500

■ Material data

Body	Stainless Steel (SU303), Passivated
Pin Contact	Beryllium Copper Alloy, Gold-plated
Insulator	PEI

■ Interface Standards


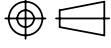
2.92mm	MIL-STD-348A
2.4mm	IEEE STD 278-2007



Recommended Mounting Hole

NOTES:

- ALL SPECIFICATIONS ARE SUBJECT TO CHANGE WITHOUT NOTICE AT ANY TIME
- CUSTOMER OUTLINE DRAWING FOR REFERENCE ONLY

DRAWN: L. Ma 06/01/10	TITLE:	 www.cmppter.com			
ENGINEER: J. Zhu 06/01/10	Precision Adapter, 2.92mm Female to 2.4mm Female, 4 Hole Flange				
APPROVED: M. Dong 06/01/10		 DIMENSIONS IN MILLIMETERS (mm)			
TOLERANCE UNLESS OTHERWISE SPECIFIED					
X	±0.50 [.019"]	SIZE:	SCALE:	SHEET:	REV:
.X	±0.20 [.008"]	A4	4:1	1/1	A
.XX	±0.10 [.004"]	PART No.: P-2.92F-2.4F-151			
ANGLES	±1°				