

REV	DESCRIPTION OF REVISION	ECN No.	BY	DATE	APPROVED
A	INITIAL RELEASE	—	L. Ma	05/18/10	05/18/10

TECHNICAL DATA

■ Electrical data

Impedance	50 Ω
Frequency range	0~33 GHz
VSWR	1.15:1

■ Mechanical data

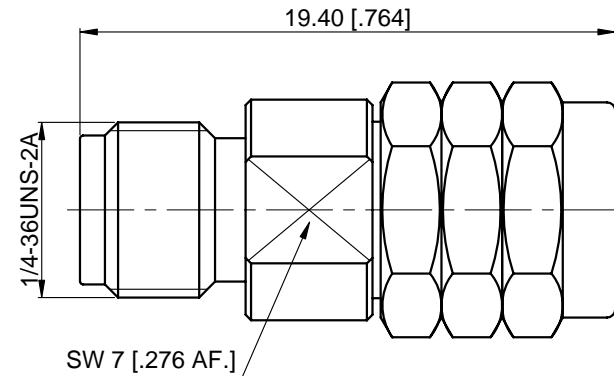
Temperature range	-55 °C ~ +165 °C
Durability (matings)	>500

■ Material data

Body	Stainless Steel (SU303), Passivated
Pin Contact	Beryllium Copper Alloy, Gold-plated
Insulator	PEI


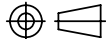
■ Interface Standards

3.5mm	IEC-60169
1.85mm	IEC-61169



NOTES:

- ALL SPECIFICATIONS ARE SUBJECT TO CHANGE WITHOUT NOTICE AT ANY TIME
- CUSTOMER OUTLINE DRAWING FOR REFERENCE ONLY

DRAWN: L. Ma 05/18/10	TITLE: Precision Adapter, 3.5mm Female to 1.85mm Male	 www.cmppter.com			
ENGINEER: J. Zhu 05/18/10					
APPROVED: M. Dong 05/18/10		 DIMENSIONS IN MILLIMETERS (mm)			
TOLERANCE UNLESS OTHERWISE SPECIFIED	PART No.: P-3.5F-1.85M-141	SIZE: A4	SCALE: 4:1	SHEET: 1/1	REV: A
X ±0.50 [.019"] .X ±0.20 [.008"] .XX ±0.10 [.004"] ANGLES ±1°					