

# TECHNICAL DATA

## Electrical

Impedance 50 Ω  
 Frequency range 0~3 GHz  
 Withstanding voltage ≥2500V  
 Insulation resistance ≥5000MΩ

## Mechanical & Environmental

Durability (matings) >500  
 Temperature range -65 °C ~ +165 °C  
 RoHS Compliant Yes

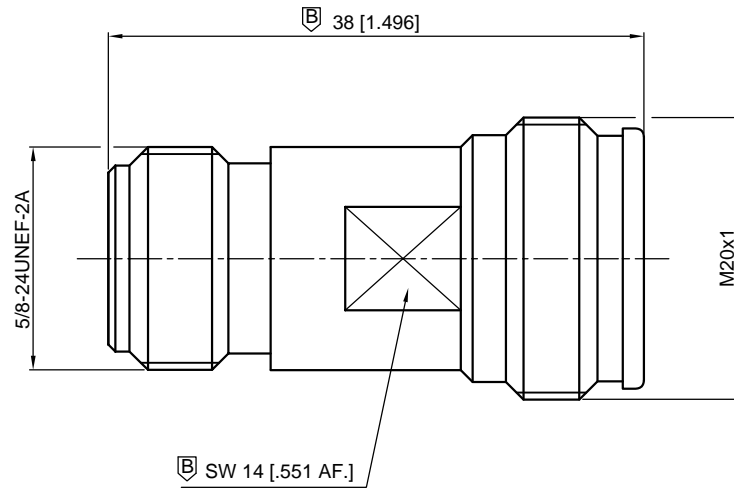
## Material & Finish

Body Brass, Albaloy-plated  
 Pin Contact Phosphor Bronze, Silver-plated  
 Insulator PTFE

## Interface Standards

N IEC 60169-16  
 4.3-10 IEC61169-54

REVISIONS				
REV	DESCRIPTION OF REVISION	ECN No.	DATE	APPROVED
A	INITIAL RELEASE	—	12/11/2018	M. Dong
B	DIMENSIONS CHANGED	—	06/25/2019	M. Dong



UNLESS OTHERWISE SPECIFIED, DIMENSIONS ARE IN MILLIMETERS (INCHES). UNLESS OTHERWISE SPECIFIED DIMENSIONAL TOLERANCES ARE: .XX ±0.13 [005"] X ±0.20 [008"] X ±0.50 [019"] ANGULAR TOLERANCES ARE: ALL= ±1°	
DO NOT SCALE DRAWING	
PROJECTION:	

DRAWN:	L. Ma	06/25/2019
CHECKED:	J. Zhu	06/25/2019
APPROVED:	M. Dong	06/25/2019

TITLE:  
**Adapter, N Female to 4.3/10 Female**

**CMPPTER**®  
 Cmppter Electronics Co., Ltd. [www.cmppter.com](http://www.cmppter.com)

PART No.:  
**A-NF-4.310F-352**

SIZE: A4	SCALE: 2:1	SHEET: 1/1	REV: B
----------	------------	------------	--------

- NOTES:
- ALL SPECIFICATIONS ARE SUBJECT TO CHANGE WITHOUT NOTICE AT ANY TIME
  - UNLESS OTHERWISE SPECIFIED ALL DIMENSIONS ARE NOMINAL.