

# TECHNICAL DATA

## Electrical

Impedance 50 Ω  
 Frequency range 0~3 GHz  
 Withstanding voltage ≥2700V  
 Insulation resistance ≥5000MΩ

## Mechanical & Environmental

Durability (matings) >500  
 Temperature range -65 °C ~ +165 °C  
 RoHS Compliant Yes

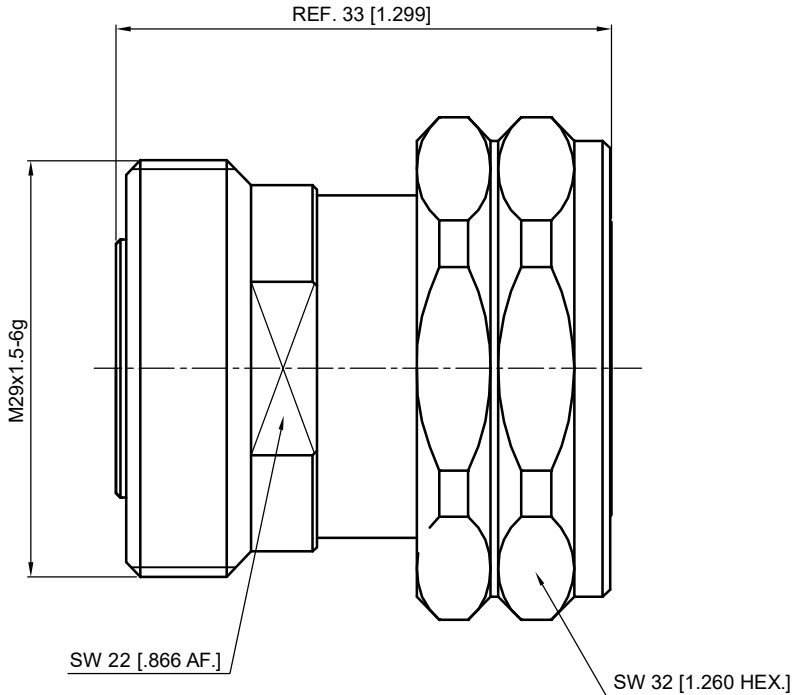
## Material & Finish

Body Brass, Albaloy-plated  
 Pin Contact Phosphor Bronze, Silver-plated  
 Insulator PTFE

## Interface Standards

7/16 IEC 60169-4

REVISIONS				
REV	DESCRIPTION OF REVISION	ECN No.	DATE	APPROVED
A	INITIAL RELEASE	---	10/09/2012	M. Dong
B	DIMENSIONS CHANGED	---	09/24/2014	M. Dong
C	DIMENSIONS CHANGED	---	08/01/2016	M. Dong



### NOTES:

- ALL SPECIFICATIONS ARE SUBJECT TO CHANGE WITHOUT NOTICE AT ANY TIME
- UNLESS OTHERWISE SPECIFIED ALL DIMENSIONS ARE NOMINAL.

UNLESS OTHERWISE SPECIFIED, DIMENSIONS ARE IN MILLIMETERS (INCHES). UNLESS OTHERWISE SPECIFIED DIMENSIONAL TOLERANCES ARE: .XX ±0.13 [.005"] .X ±0.20 [.008"] X ±0.50 [.019"]	DRAWN: L. Ma 08/01/2016
ANGULAR TOLERANCES ARE: ALL= ±1°	CHECKED: J. Zhu 08/01/2016
DO NOT SCALE DRAWING	APPROVED: M. Dong 08/01/2016
PROJECTION:	TITLE: Adapter, 7/16 Male to 7/16 Female

DRAWN: L. Ma 08/01/2016		
CHECKED: J. Zhu 08/01/2016		
APPROVED: M. Dong 08/01/2016		
TITLE: Adapter, 7/16 Male to 7/16 Female		

**CMP TER**®  
 Cmpter Electronics Co., Ltd. [www.cmpter.com](http://www.cmpter.com)

PART No.: **A-716M-716F-096**

SIZE: A4	SCALE: 4:1	SHEET: 1/1	REV: C
----------	------------	------------	--------