

REV	DESCRIPTION OF REVISION	ECN No.	BY	DATE	APPROVED
A	INITIAL RELEASE	—	L. Ma	07/12/10	M. Dong

TECHNICAL DATA

Electrical data

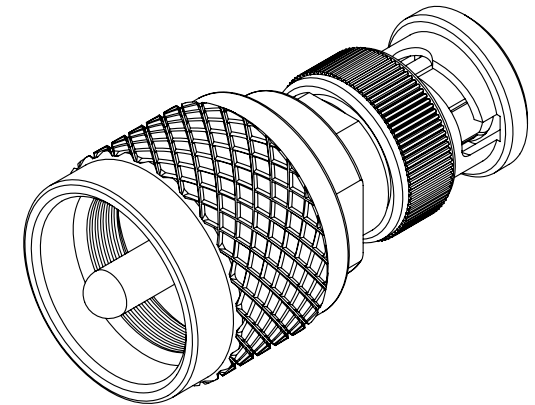
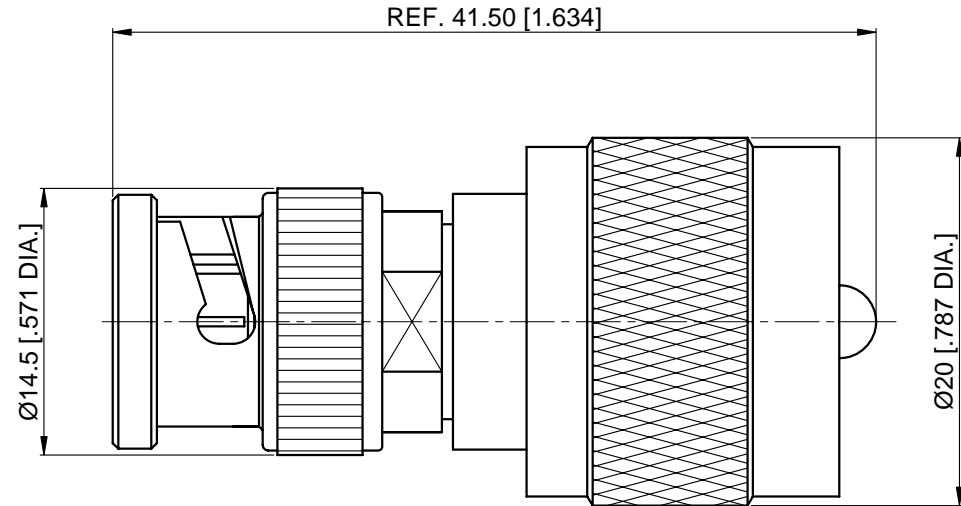
Impedance	50 Ω
Frequency range	0~300 MHz
Insulation resistance	≥5x10 ³ MΩ
Withstanding voltage	1000 V

Mechanical data

Temperature range	-65 °C ~ +165 °C
Durability (matings)	>500


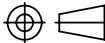
Material data

Bodies	Brass, Nickel-plated
Pin Contact	Brass, Gold-plated
Coupling nut	Brass, Nickel-plated
Insulator	PTFE
Gasket	Silicone rubber



NOTES:

- ALL SPECIFICATIONS ARE SUBJECT TO CHANGE WITHOUT NOTICE AT ANY TIME
- CUSTOMER OUTLINE DRAWING FOR REFERENCE ONLY

DRAWN: L. Ma 07/12/10	TITLE:	 www.cmptter.com			
ENGINEER: J. Zhu 07/12/10	Adapter, BNC Male to UHF Male				
APPROVED: M. Dong 07/12/10		 DIMENSIONS IN MILLIMETERS (mm)			
TOLERANCE UNLESS OTHERWISE SPECIFIED					
X ±0.50 [.019"] .X ±0.20 [.008"] .XX ±0.10 [.004"] ANGLES ±1°	PART No.: A-BNCM-UHFM-087	SIZE: A4	SCALE: 2.5:1	SHEET: 1/1	REV: A