

# TECHNICAL DATA

## Electrical

Impedance	50 Ω
Frequency range	0~4 GHz
Operating Voltage	≤1000 Volts
Insulation resistance	≥5000MΩ

## Mechanical & Environmental

Durability (matings)	>500
Temperature range	-55 °C ~ +165 °C
RoHS Compliant	Yes

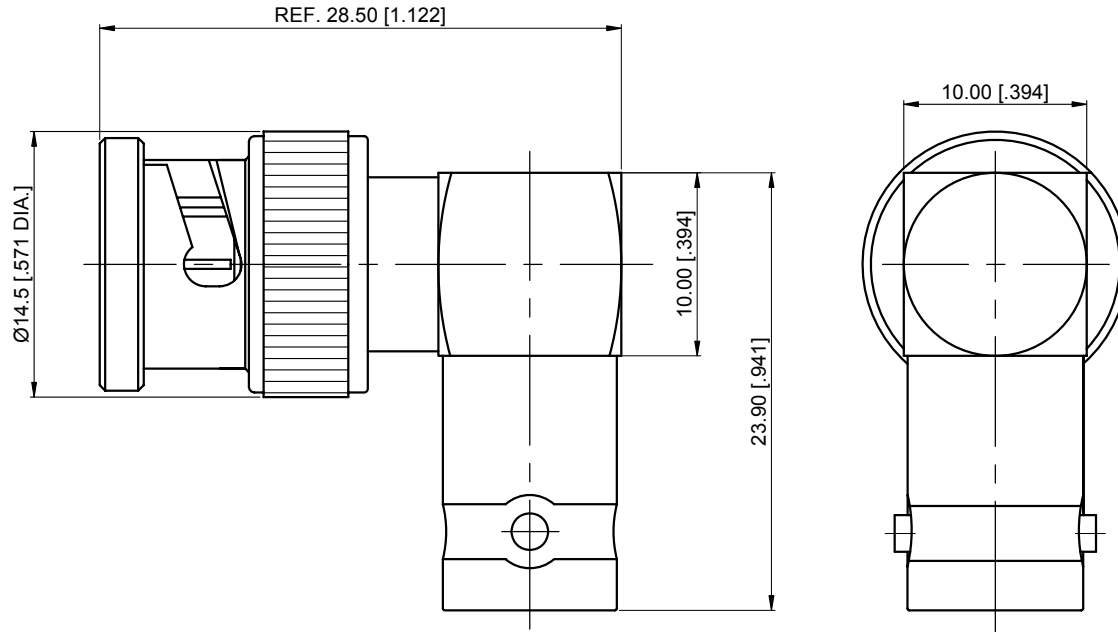
## Material & Finish

Body	Brass, Nickel-plated
Pin Contact	Brass & Phosphor Bronze, Gold-plated
Coupling Nut	Brass, Nickel-plated
Insulator	PTFE
Gasket	Silicone Rubber

## Interface Standards

BNC	IEC 60169
-----	-----------

REVISIONS				
REV	DESCRIPTION OF REVISION	ECN No.	DATE	APPROVED
A	INITIAL RELEASE	—	07/01/2010	M. Dong
B	STRUCTURE CHANGED	—	05/18/2016	M. Dong



UNLESS OTHERWISE SPECIFIED, DIMENSIONS ARE IN MILLIMETERS [INCHES].  
UNLESS OTHERWISE SPECIFIED DIMENSIONAL TOLERANCES ARE:

.XX	±0.13 [0.005"]
.X	±0.20 [0.008"]
X	±0.50 [0.019"]

ANGULAR TOLERANCES ARE: ALL±1°

DO NOT SCALE DRAWING

PROJECTION:

DRAWN:	L. Ma	05/18/2016
CHECKED:	J. Zhu	05/18/2016
APPROVED:	M. Dong	05/18/2016

TITLE:  
**Adapter, Right Angle,  
BNC Male to BNC Female**

Cmptter Electronics Co., Ltd. <a href="http://www.cmptter.com">www.cmptter.com</a>			
PART No.: <b>AR-BNCF-BNCF-080</b>			
SIZE: A4	SCALE: 2.5:1	SHEET: 1/1	REV: B

### NOTES:

- ALL SPECIFICATIONS ARE SUBJECT TO CHANGE WITHOUT NOTICE AT ANY TIME
- UNLESS OTHERWISE SPECIFIED ALL DIMENSIONS ARE NOMINAL.