

REV	DESCRIPTION OF REVISION	ECN No.	BY	DATE	APPROVED
A	INITIAL RELEASE	—	L. Ma	03/18/10	03/18/10

TECHNICAL DATA

■ Electrical data

Impedance	50 Ω
Frequency range	0~18 GHz
VSWR	1.15:1

■ Mechanical data

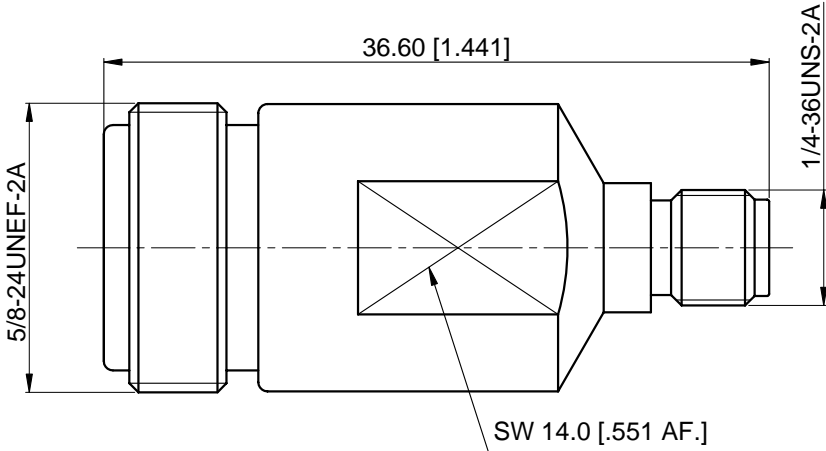
Temperature range	-55 °C ~ +165 °C
Durability (matings)	>500

■ Material data

Body	Stainless Steel (SU303), Passivated
Pin Contact	Beryllium Copper Alloy, Gold-plated
Insulator	PEI


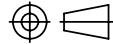
■ Interface Standards

N	MIL-STD-348A
2.92mm	MIL-STD-348A



NOTES:

- ALL SPECIFICATIONS ARE SUBJECT TO CHANGE WITHOUT NOTICE AT ANY TIME
- CUSTOMER OUTLINE DRAWING FOR REFERENCE ONLY

DRAWN: L. Ma 03/18/10 ENGINEER: J. Zhu 03/18/10 APPROVED: M. Dong 03/18/10 TOLERANCE UNLESS OTHERWISE SPECIFIED X ±0.50 [.019"] .X ±0.20 [.008"] .XX ±0.10 [.004"] ANGLES ±1°	TITLE: Precision Adapter, N Female to 2.92mm Female	 www.cmptter.com
PART No.: P-NF-2.92F-105	 DIMENSIONS IN MILLIMETERS (mm)	SIZE: A4 SCALE: 2.5:1 SHEET: 1/1 REV: A