

# TECHNICAL DATA

## Electrical

Impedance 50 Ω  
 Frequency range 0~4 GHz  
 Withstanding voltage 1000 V  
 Insulation resistance ≥5000MΩ

## Mechanical & Environmental

Durability (matings) >500  
 Temperature range -65 °C ~ +165 °C  
 RoHS Compliant Yes

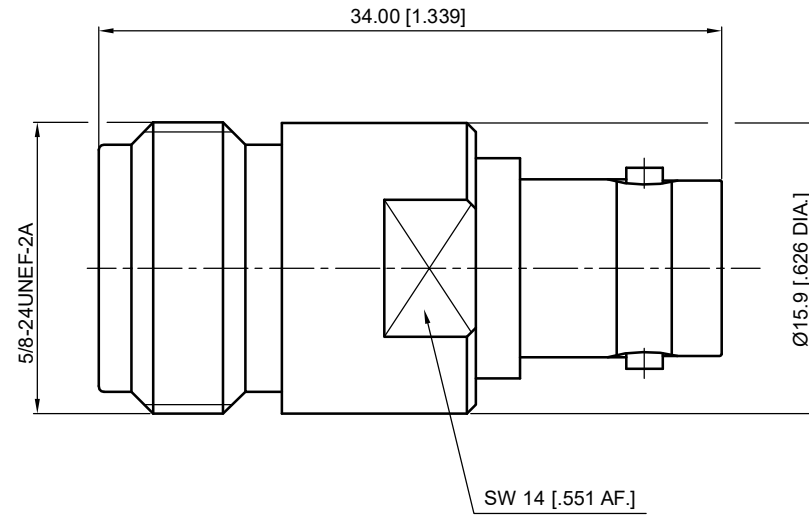
## Material & Finish

Body Brass, Nickel-plated  
 Pin Contact Phosphor Bronze, Gold-plated  
 Insulator PTFE

## Interface Standards

N IEC-60169  
 BNC IEC-60169

REVISIONS				
REV	DESCRIPTION OF REVISION	ECN No.	DATE	APPROVED
A	INITIAL RELEASE	—	04/15/2007	M. Dong
B	DIMENSIONS CHANGED	—	12/08/2015	M. Dong



- NOTES:
- ALL SPECIFICATIONS ARE SUBJECT TO CHANGE WITHOUT NOTICE AT ANY TIME
  - UNLESS OTHERWISE SPECIFIED ALL DIMENSIONS ARE NOMINAL.

UNLESS OTHERWISE SPECIFIED, DIMENSIONS ARE IN MILLIMETERS [INCHES]. UNLESS OTHERWISE SPECIFIED DIMENSIONAL TOLERANCES ARE: .XX ±0.13 [.005"] .X ±0.20 [.008"] X ±0.50 [.019"] ANGULAR TOLERANCES ARE: ALL= ±1° DO NOT SCALE DRAWING
PROJECTION:

DRAWN:	L. Ma	12/08/2015
CHECKED:	J. Zhu	12/08/2015
APPROVED:	M. Dong	12/08/2015

TITLE:  
**Adapter, N Female to BNC Female**

**CMPPTER**®  
 Cmppter Electronics Co., Ltd. [www.cmppter.com](http://www.cmppter.com)

PART No.:  
**A-NF-BNCF-014**

SIZE: A4	SCALE: 2:1	SHEET: 1/1	REV: B
----------	------------	------------	--------