

REVISIONS				
REV	DESCRIPTION OF REVISION	ECN No.	DATE	APPROVED
A	INITIAL RELEASE		10/11/2012	M. Dong

TECHNICAL DATA

Electrical

Impedance	50 Ω
Frequency range	0~3 GHz
Withstanding voltage	1000 V
Insulation resistance	≥5000MΩ

Mechanical & Environmental

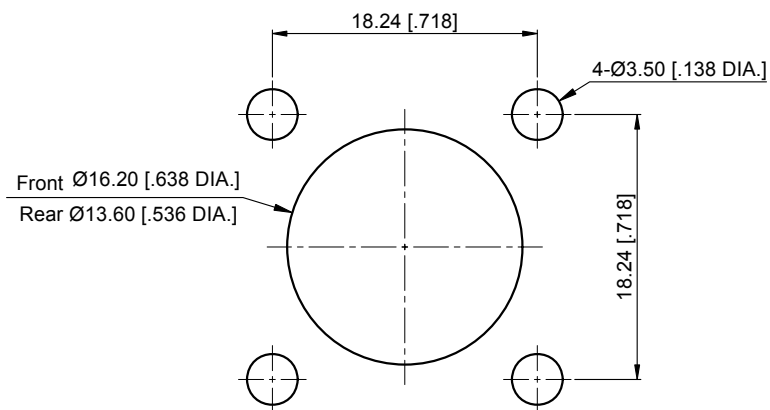
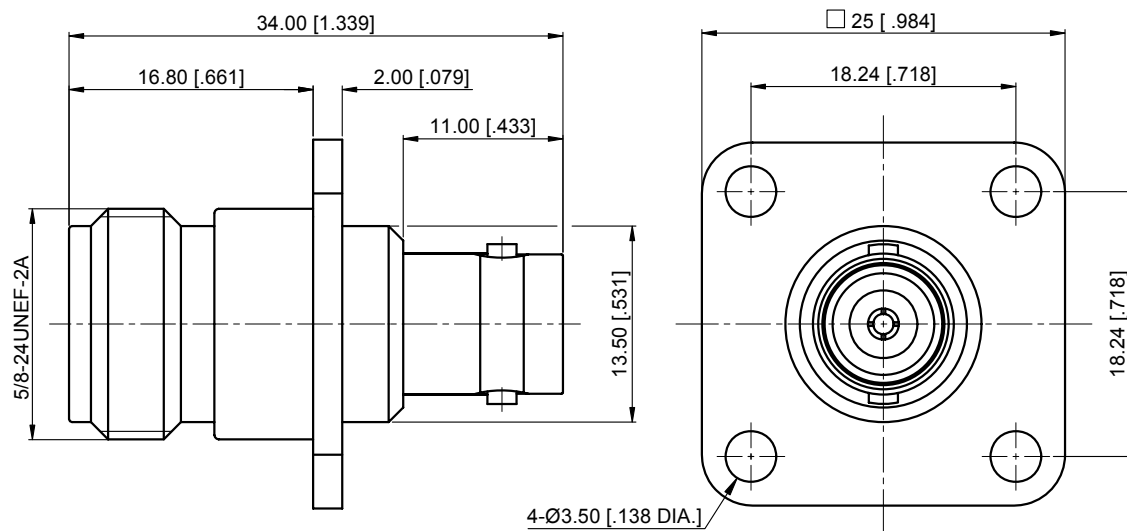
Durability (matings)	>500
Temperature range	-55 °C ~ +165 °C
RoHS Compliant	Yes

Material & Finish

Body	Brass, Nickel-plated
Pin Contact	Phosphor Bronze, Gold-plated
Insulator	PTFE

Interface Standards

N	IEC-60169
BNC	IEC-60169



Recommended Mounting Hole

NOTES:

- ALL SPECIFICATIONS ARE SUBJECT TO CHANGE WITHOUT NOTICE AT ANY TIME
- UNLESS OTHERWISE SPECIFIED ALL DIMENSIONS ARE NOMINAL.

UNLESS OTHERWISE SPECIFIED, DIMENSIONS ARE IN MILLIMETERS [INCHES]. UNLESS OTHERWISE SPECIFIED DIMENSIONAL TOLERANCES ARE: XX ±0.13 [.005"] X ±0.20 [.008"] X ±0.50 [.019"] ANGULAR TOLERANCES ARE: ALL ±1° DO NOT SCALE DRAWING PROJECTION:

DRAWN:	L. Ma	10/11/2012
CHECKED:	J. Zhu	10/11/2012
APPROVED:	M. Dong	10/11/2012

TITLE:
Adapter, N Female to BNC Female, 4 Hole Flange

Cmptter Electronics Co., Ltd. www.cmptter.com			
PART No.: A-NF-BNCF-097			
SIZE: A4	SCALE: 2:1	SHEET: 1/1	REV: A