

| REVISIONS | | | | |
|-----------|-------------------------|---------|------------|----------|
| REV | DESCRIPTION OF REVISION | ECN No. | DATE | APPROVED |
| A | INITIAL RELEASE | --- | 02/18/2014 | M. Dong |
| B | IMPEDANCE CORRECT | --- | 02/20/2014 | M. Dong |
| C | ADD DIMENSIONS | --- | 05/25/2015 | M. Dong |

TECHNICAL DATA

Electrical

Impedance 75 Ω
 Frequency range 0~3 GHz
 Withstanding voltage 500 V
 Insulation resistance ≥5000MΩ

Mechanical & Environmental

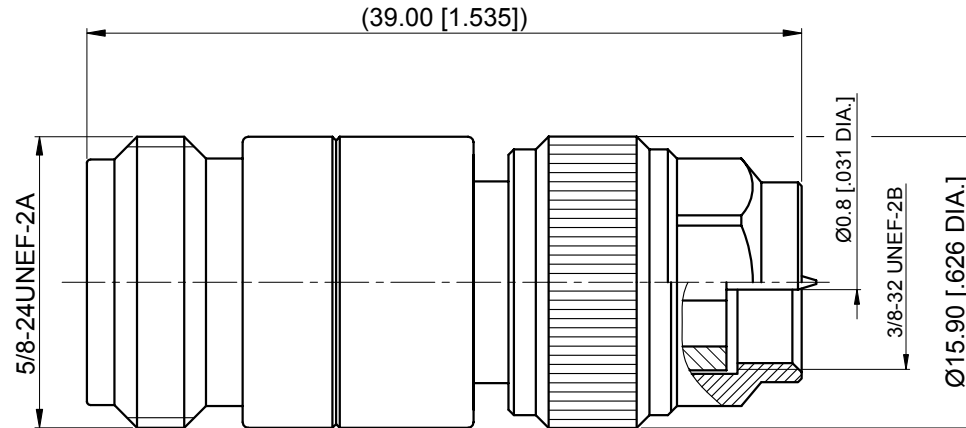
Durability (matings) >500
 Temperature range -55 °C ~ +165 °C
 RoHS Compliant Yes

Material & Finish

Body Brass, Nickel-plated
 Pin Contact Beryllium Copper Alloy, Gold-plated
 Insulator PTFE

Interface Standards

N IEC-60169
 F IEC-60169



| | |
|---|--|
| UNLESS OTHERWISE SPECIFIED, DIMENSIONS ARE IN MILLIMETERS [INCHES]. UNLESS OTHERWISE SPECIFIED DIMENSIONAL TOLERANCES ARE: .XX ±0.13 [.005"] .X ±0.20 [.008"] X ±0.50 [.019"] ANGULAR TOLERANCES ARE: ALL=±1° | |
| DO NOT SCALE DRAWING | |
| PROJECTION: | |

| | | |
|-----------|---------|------------|
| DRAWN: | L. Ma | 02/25/2015 |
| CHECKED: | J. Zhu | 02/25/2015 |
| APPROVED: | M. Dong | 02/25/2015 |

TITLE:
**Adapter, 75 Ohm N
 Female to F Male**



Cmppter Electronics Co., Ltd. www.cmppter.com

PART No.:
A-NF-FM-238

| | | | |
|-------------|-----------------|---------------|-----------|
| SIZE: A4 | SCALE: 2.5:1 | SHEET: 1/1 | REV: C |
|-------------|-----------------|---------------|-----------|

NOTES:

- ALL SPECIFICATIONS ARE SUBJECT TO CHANGE WITHOUT NOTICE AT ANY TIME
- UNLESS OTHERWISE SPECIFIED ALL DIMENSIONS ARE NOMINAL.