

# TECHNICAL DATA

## Electrical

Impedance 50 Ω  
 Frequency range 0~6 GHz  
 Withstanding voltage 250 V  
 Insulation resistance ≥1 000MΩ

## Mechanical & Environmental

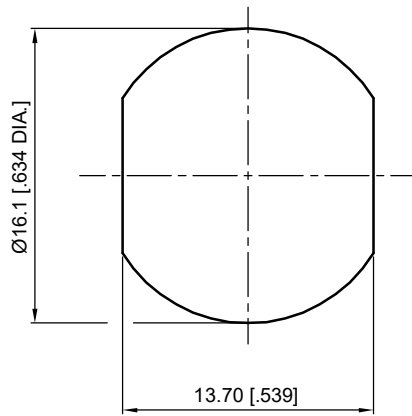
Durability (matings) >500  
 Temperature range -55 °C ~ +165 °C  
 RoHS Compliant Yes

## Material & Finish

Body Brass, Nickel-plated  
 Pin Contact Phosphor Bronze, Gold-plated  
 Insulator PTFE

## Interface Standards

N IEC-60169  
 MCX IEC-61169

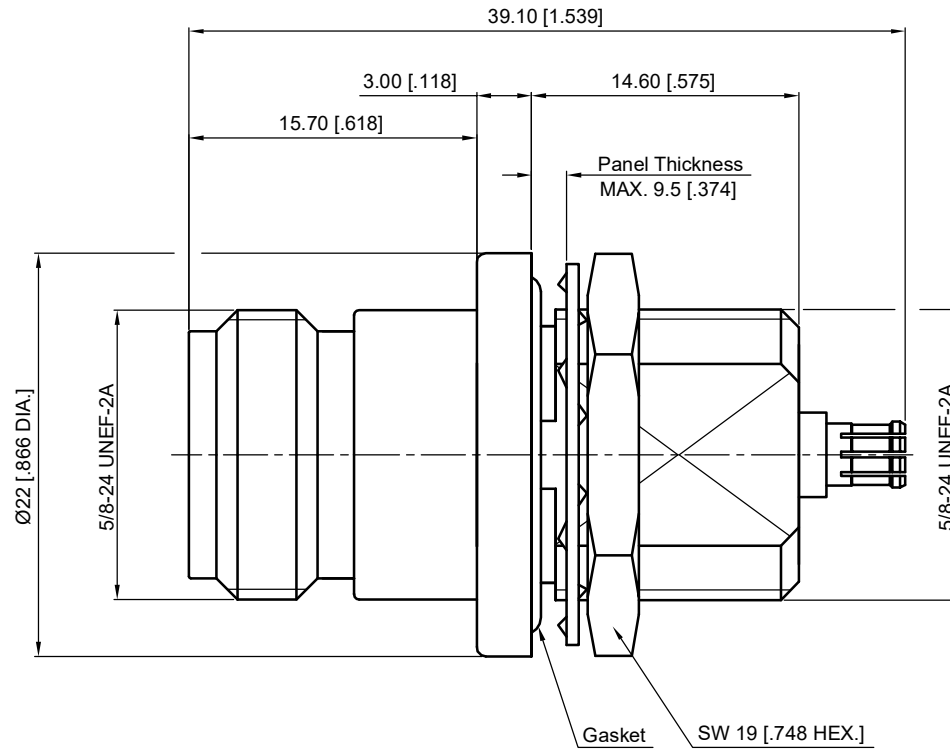


Recommend Mounting Hole

### NOTES:

- ALL SPECIFICATIONS ARE SUBJECT TO CHANGE WITHOUT NOTICE AT ANY TIME
- UNLESS OTHERWISE SPECIFIED ALL DIMENSIONS ARE NOMINAL.

REVISIONS				
REV	DESCRIPTION OF REVISION	ECN No.	DATE	APPROVED
A	INITIAL RELEASE	---	02/23/2016	M. Dong
B	DIMENSION CHANGED	---	09/06/2016	M. Dong



UNLESS OTHERWISE SPECIFIED, DIMENSIONS ARE IN MILLIMETERS (INCHES).  
 UNLESS OTHERWISE SPECIFIED DIMENSIONAL TOLERANCES ARE:

.XX	±0.13 [.005"]
.X	±0.20 [.008"]
X	±0.50 [.019"]

ANGULAR TOLERANCES ARE: ALL= ±1°

DO NOT SCALE DRAWING

PROJECTION:

DRAWN:	L. Ma	09/06/2016
CHECKED:	J. Zhu	09/06/2016
APPROVED:	M. Dong	09/06/2016

TITLE:  
**RF Adapter, N Waterproof Bulkhead Female to MCX Male**

**CMPPTER**<sup>®</sup>  
 Cmppter Electronics Co., Ltd. [www.cmppter.com](http://www.cmppter.com)

PART No.:  
**A-NF-MCXM-277**

SIZE: A4	SCALE: 2.5:1	SHEET: 1/1	REV: B
----------	--------------	------------	--------