

REV	DESCRIPTION OF REVISION	ECN No.	BY	DATE	APPROVED
A	INITIAL RELEASE	—	L. Ma	08/13/08	M. Dong

### TECHNICAL DATA

#### Electrical data

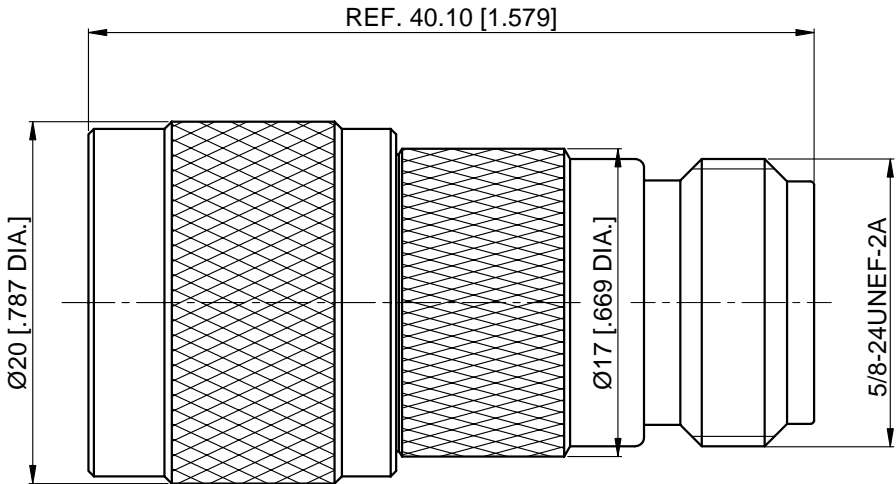
Impedance	50 Ω
Frequency range	0~11 GHz
Insulation resistance	≥5x10 <sup>3</sup> MΩ
Withstanding voltage	2500 V

#### Mechanical data

Temperature range	-65 °C ~ +165 °C
Durability (matings)	>500


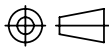
#### Material data

Bodies	Brass, Nickel-plated
Pin Contact	Phosphor Bronze, Silver-plated
Insulator	PTFE



NOTES:

1. ALL SPECIFICATIONS ARE SUBJECT TO CHANGE WITHOUT NOTICE AT ANY TIME
2. CUSTOMER OUTLINE DRAWING FOR REFERENCE ONLY

DRAWN: L. Ma 08/13/08	TITLE:	 <a href="http://www.cmppter.com">www.cmppter.com</a>			
ENGINEER: J. Zhu 08/13/08	Adapter, N Male to N Female				
APPROVED: M. Dong 08/13/08		 DIMENSIONS IN MILLIMETERS (mm)			
TOLERANCE UNLESS OTHERWISE SPECIFIED	PART No.: A-NM-NF-048				
X ±0.50 [.019"]					
.X ±0.20 [.008"]					
.XX ±0.10 [.004"]					
ANGLES ±1°					