

REV	DESCRIPTION OF REVISION	ECN No.	BY	DATE	APPROVED
A	INITIAL RELEASE	—	L. Ma	06/18/10	06/18/10

## TECHNICAL DATA

### Electrical data

Impedance	50 Ω
Frequency range	0~18 GHz
VSWR	1.15:1

### Mechanical data

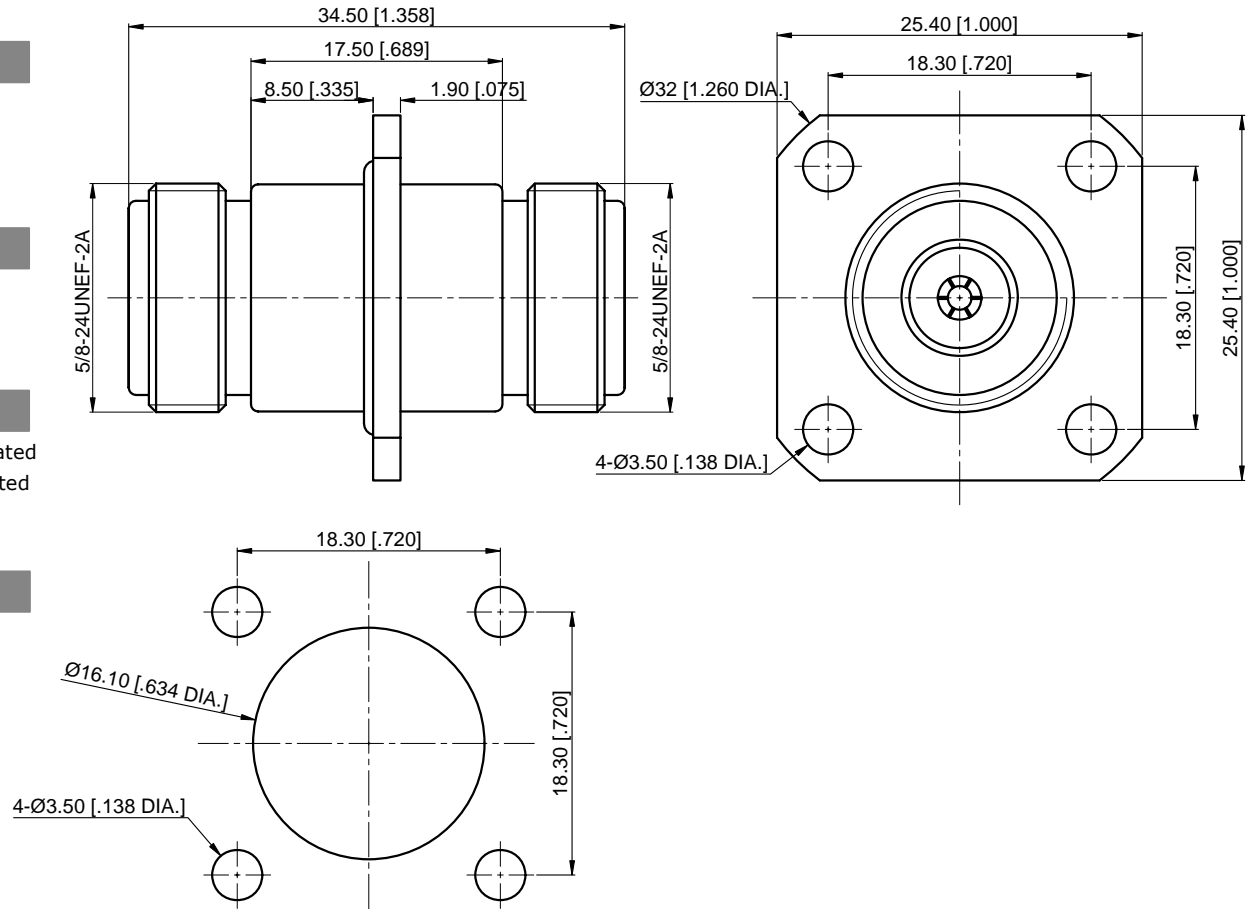
Temperature range	-55 °C ~ +165 °C
Durability (matings)	>500

### Material data

Body	Stainless Steel (SU303), Passivated
Pin Contact	Beryllium Copper Alloy, Gold-plated
Insulator	PEI

### Interface Standards


N	MIL-STD-348A
---	--------------



Recommended Mounting Hole

#### NOTES:

1. ALL SPECIFICATIONS ARE SUBJECT TO CHANGE WITHOUT NOTICE AT ANY TIME
2. CUSTOMER OUTLINE DRAWING FOR REFERENCE ONLY

DRAWN: L. Ma 06/18/10	TITLE:	 <a href="http://www.cmptter.com">www.cmptter.com</a>			
ENGINEER: J. Zhu 06/18/10	Precision Adapter, N Female to N Female, 4 Hole Flange				
APPROVED: M. Dong 06/18/10		DIMENSIONS IN MILLIMETERS (mm)			
TOLERANCE UNLESS OTHERWISE SPECIFIED	PART No.: P-NF-NF-179	SIZE: A4	SCALE: 2:1	SHEET: 1/1	REV: A
X ±0.50 [.019"]					
.X ±0.20 [.008"]					
.XX ±0.10 [.004"]					
ANGLES ±1°					