

REVISIONS

REV	DESCRIPTION OF REVISION	ECN No.	DATE	APPROVED
A	INITIAL RELEASE		03/02/2018	M. Dong

TECHNICAL DATA

Electrical

Impedance 50 Ω
 Frequency range 0~3 GHz
 Withstanding voltage 1000 V
 Insulation resistance ≥5000MΩ

Mechanical & Environmental

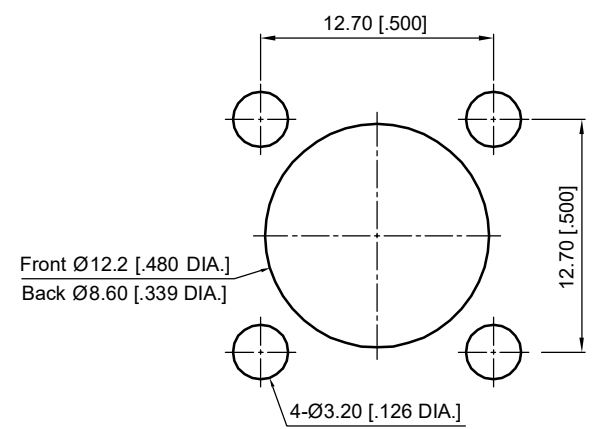
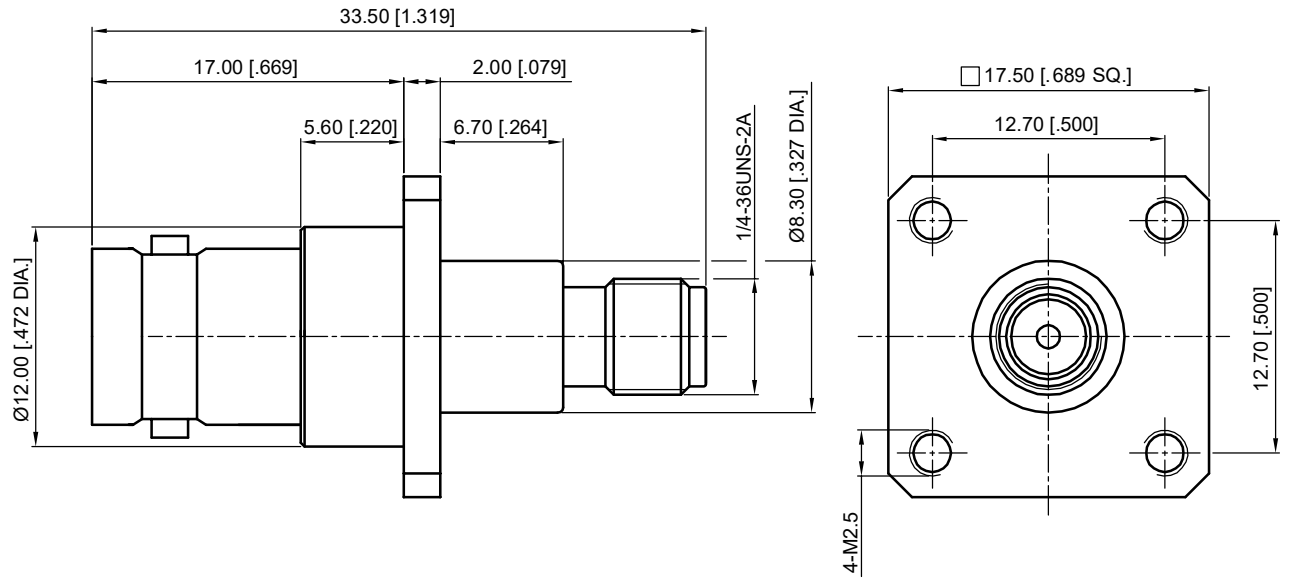
Durability (matings) >500
 Temperature range -65 °C ~ +165 °C
 RoHS Compliant Yes

Material & Finish

Body Brass, Nickel-plated
 Pin Contact Phosphor Bronze, Gold-plated
 Insulator PTFE

Interface Standards

BNC IEC-61169
 SMA IEC-60169



Recommended Mounting Hole

- NOTES:
- ALL SPECIFICATIONS ARE SUBJECT TO CHANGE WITHOUT NOTICE AT ANY TIME
 - UNLESS OTHERWISE SPECIFIED ALL DIMENSIONS ARE NOMINAL.

UNLESS OTHERWISE SPECIFIED, DIMENSIONS ARE IN MILLIMETERS (INCHES).
 UNLESS OTHERWISE SPECIFIED DIMENSIONAL TOLERANCES ARE:

.XX	±0.13 [0.005"]
.X	±0.20 [0.008"]
X	±0.50 [0.019"]

ANGULAR TOLERANCES ARE: ALL= ±1°

DO NOT SCALE DRAWING

PROJECTION:

DRAWN:	L. Ma	03/02/2018
CHECKED:	J. Zhu	03/02/2018
APPROVED:	M. Dong	03/02/2018

TITLE:
Adapter, BNC Female to SMA Female, 4 Hole Flange

CMPPTER®
 Cmppter Electronics Co., Ltd. www.cmppter.com

PART No.:
A-BNCF-SMAF-332

SIZE: A4	SCALE: 2.5:1	SHEET: 1/1	REV: A
----------	--------------	------------	--------