

TECHNICAL DATA

Electrical

Impedance	50 Ω
Frequency range	0~3 GHz
Withstanding voltage	1000 V
Insulation resistance	≥5000MΩ

Mechanical & Environmental

Durability (matings)	>500
Temperature range	-65 °C ~ +165 °C
RoHS Compliant	Yes

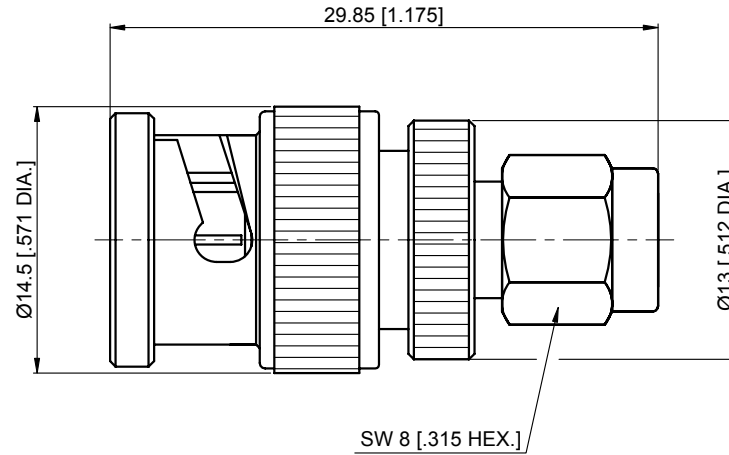
Material & Finish

Body	Brass, Nickel-plated
Pin Contact	Brass, Gold-plated
Coupling nut	Brass, Nickel-plated
Insulator	PTFE
Gasket	Silicone rubber

Interface Standards

BNC	IEC-60169
SMA	IEC-60169

REVISIONS				
REV	DESCRIPTION OF REVISION	ECN No.	DATE	APPROVED
A	INITIAL RELEASE	—	08/24/2016	M. Dong



NOTES:

- ALL SPECIFICATIONS ARE SUBJECT TO CHANGE WITHOUT NOTICE AT ANY TIME
- UNLESS OTHERWISE SPECIFIED ALL DIMENSIONS ARE NOMINAL.

UNLESS OTHERWISE SPECIFIED, DIMENSIONS ARE IN MILLIMETERS (INCHES). UNLESS OTHERWISE SPECIFIED DIMENSIONAL TOLERANCES ARE: .XX ±0.13 [.005"] .X ±0.20 [.008"] X ±0.50 [.019"] ANGULAR TOLERANCES ARE: ALL=±1° DO NOT SCALE DRAWING PROJECTION:

DRAWN:	L. Ma	08/24/2016
CHECKED:	J. Zhu	08/24/2016
APPROVED:	M. Dong	08/24/2016

TITLE:
Adapter, BNC Male to SMA Male

Cmptter Electronics Co., Ltd. www.cmptter.com			
PART No.: A-BNCM-SMAM-287			
SIZE: A4	SCALE: 2.5:1	SHEET: 1/1	REV: A