

TECHNICAL DATA

Electrical

Impedance 50 Ω
 Frequency range 0~6 GHz
 Withstanding voltage 250 V
 Insulation resistance 1×10^4 MΩ

Mechanical & Environmental

Durability (matings) >500
 Temperature range -55 °C ~ +165 °C
 RoHS Compliant Yes

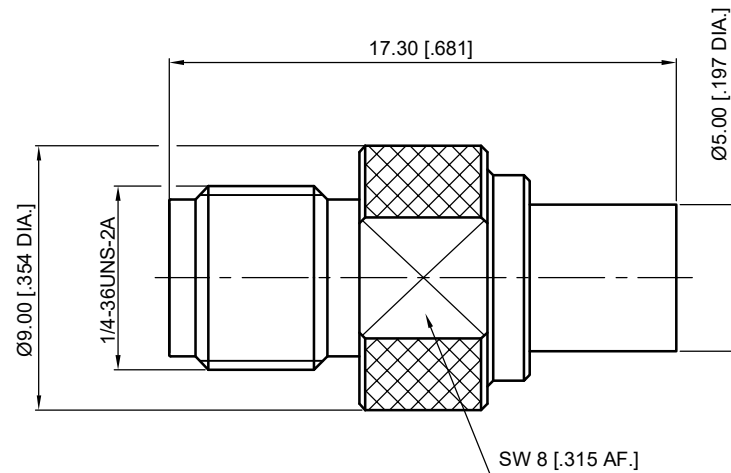
Material & Finish

Body Brass, Gold-plated
 Pin Contact Beryllium Copper Alloy, Gold-plated
 Insulator PTFE

Interface Standards

SMA IEC-60169
 MCX IEC-61169

REVISIONS				
REV	DESCRIPTION OF REVISION	ECN No.	DATE	APPROVED
A	INITIAL RELEASE	—	05/09/2010	M. Dong
B	STRUCTURE CHANGED	—	08/18/2017	M. Dong



NOTES:

- ALL SPECIFICATIONS ARE SUBJECT TO CHANGE WITHOUT NOTICE AT ANY TIME
- UNLESS OTHERWISE SPECIFIED ALL DIMENSIONS ARE NOMINAL.

UNLESS OTHERWISE SPECIFIED, DIMENSIONS ARE IN MILLIMETERS [INCHES].
 UNLESS OTHERWISE SPECIFIED DIMENSIONAL TOLERANCES ARE:

.XX ±0.13 [0.005]
 .X ±0.20 [0.008]
 X ±0.50 [0.019]

ANGULAR TOLERANCES ARE: ALL= ±1°

DO NOT SCALE DRAWING

PROJECTION:

DRAWN: L. Ma 08/18/2017
 CHECKED: J. Zhu 08/18/2017
 APPROVED: M. Dong 08/18/2017

TITLE:
Adapter, SMA Female to MCX Female

CMP TER®

Cmppter Electronics Co., Ltd. www.cmppter.com

PART No.:
A-SMAF-MCXF-016

SIZE: A4 SCALE: 4:1 SHEET: 1/1 REV: B