

TECHNICAL DATA

Electrical

Impedance 50 Ω
 Frequency range 0~6 GHz
 Withstanding voltage 250 V
 Insulation resistance $1 \times 10^4 \text{ M}\Omega$

Mechanical & Environmental

Durability (matings) >500
 Temperature range -55 °C ~ +165 °C
 RoHS Compliant Yes

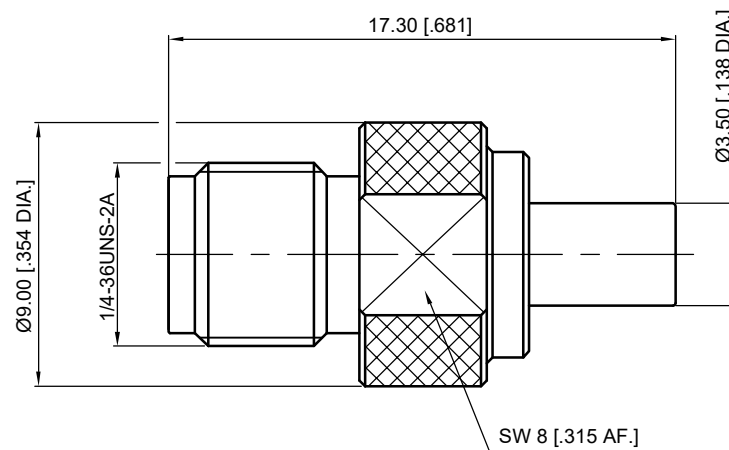
Material & Finish

Body Brass, Gold-plated
 Pin Contact Beryllium Copper Alloy, Gold-plated
 Insulator PTFE

Interface Standards

SMA IEC-60169
 MMCX BS-EN-122340

REVISIONS				
REV	DESCRIPTION OF REVISION	ECN No.	DATE	APPROVED
A	INITIAL RELEASE	---	05/12/2010	M. Dong
B	STRUCTURE CHANGED	---	08/18/2017	M. Dong



NOTES:

- ALL SPECIFICATIONS ARE SUBJECT TO CHANGE WITHOUT NOTICE AT ANY TIME
- UNLESS OTHERWISE SPECIFIED ALL DIMENSIONS ARE NOMINAL.

UNLESS OTHERWISE SPECIFIED, DIMENSIONS ARE IN MILLIMETERS [INCHES].
 UNLESS OTHERWISE SPECIFIED DIMENSIONAL TOLERANCES ARE:

.XX ±0.13 [.005"]
 .X ±0.20 [.008"]
 X ±0.50 [.019"]

ANGULAR TOLERANCES ARE: ALL= ±1°

DO NOT SCALE DRAWING

PROJECTION:

DRAWN: L. Ma 08/18/2017
 CHECKED: J. Zhu 08/18/2017
 APPROVED: M. Dong 08/18/2017

TITLE:
**Adapter, SMA Female to
 MMCX Female**

CMP TER®

Cmpter Electronics Co., Ltd. www.cmpter.com

PART No.:
A-SMAF-MMCXF-017

SIZE: A4	SCALE: 4:1	SHEET: 1/1	REV: B
----------	------------	------------	--------