

REV	DESCRIPTION OF REVISION	ECN No.	BY	DATE	APPROVED
A	INITIAL RELEASE	—	L. Ma	09/26/11	M. Dong

TECHNICAL DATA

Electrical data

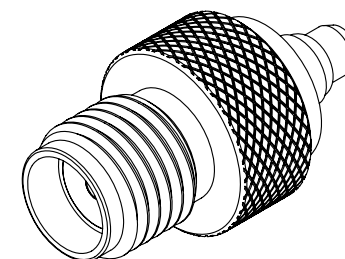
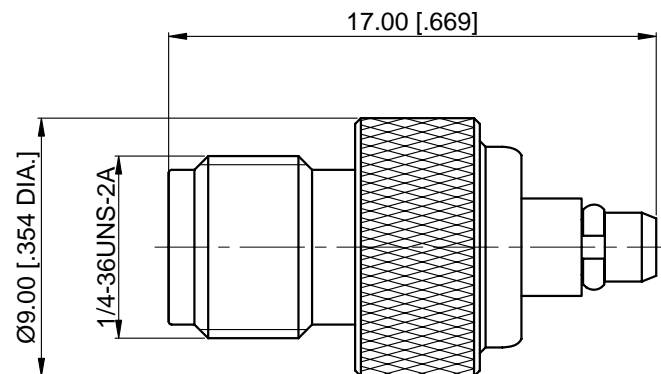
Impedance	50 Ω
Frequency range	0~6 GHz
Insulation resistance	≥1x10 ³ MΩ
Withstanding voltage	250 V

Mechanical data

Temperature range	-55 °C ~ +155 °C
Durability (matings)	>500


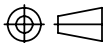
Material data

Bodies	Brass, Gold-plated
Pin Contact	Copper beryllium alloy, Gold-plated
Insulator	PTFE



NOTES:

- ALL SPECIFICATIONS ARE SUBJECT TO CHANGE WITHOUT NOTICE AT ANY TIME
- CUSTOMER OUTLINE DRAWING FOR REFERENCE ONLY

DRAWN: L. Ma 09/26/11	TITLE:	 www.cmppter.com			
ENGINEER: J. Zhu 09/26/11	Adapter, SMA Female to MMCX Male				
APPROVED: M. Dong 09/26/11		 DIMENSIONS IN MILLIMETERS (mm)			
TOLERANCE UNLESS OTHERWISE SPECIFIED	PART No.: A-SMAF-MMCXM-053				SIZE: A4
X ±0.50 [.019"]					
.X ±0.20 [.008"]					
.XX ±0.10 [.004"]					
ANGLES ±1°					