

# TECHNICAL DATA

## Electrical

Impedance	50 Ω
Frequency range	0~6 GHz
Withstanding voltage	1000 V
Insulation resistance	≥5000MΩ

## Mechanical & Environmental

Durability (matings)	>500
Temperature range	-55 °C ~ +165 °C
RoHS Compliant	Yes

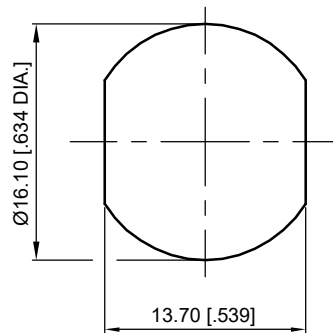
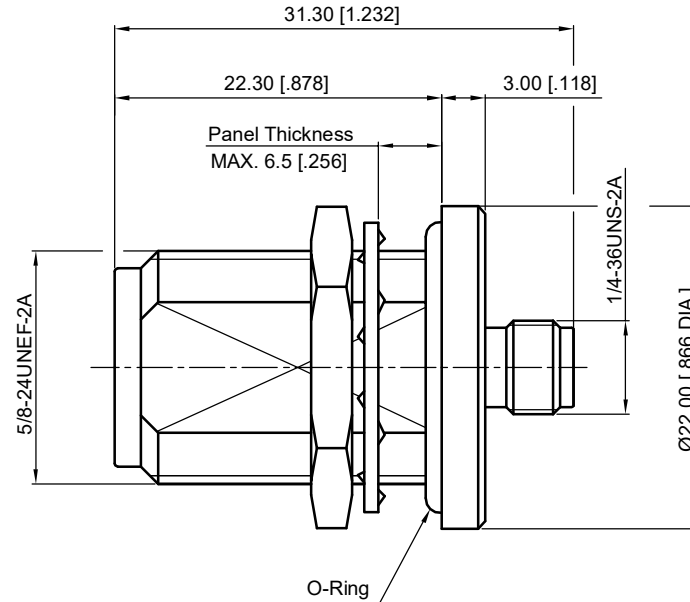
## Material & Finish

Body	Brass, Nickel-plated
Pin Contact	Phosphor Bronze, Gold-plated
O-Ring	Silicone Rubber
Insulator	PTFE

## Interface Standards

N	IEC-60169
SMA	IEC-60169

REVISIONS				
REV	DESCRIPTION OF REVISION	ECN No.	DATE	APPROVED
A	INITIAL RELEASE	—	03/22/2007	M. Dong
B	DIMENSIONS CHANGED	—	12/20/2010	M. Dong
C	DIMENSIONS CHANGED	—	11/03/2018	M. Dong



Recommend Mounting Hole

UNLESS OTHERWISE SPECIFIED, DIMENSIONS ARE IN MILLIMETERS [INCHES].  
UNLESS OTHERWISE SPECIFIED DIMENSIONAL TOLERANCES ARE:

.XX	±0.13 [.005"]
.X	±0.20 [.008"]
X	±0.50 [.019"]

ANGULAR TOLERANCES ARE: ALL= ±1°

DO NOT SCALE DRAWING

PROJECTION:

DRAWN:	L. Ma	11/03/2018
CHECKED:	J. Zhu	11/03/2018
APPROVED:	M. Dong	11/03/2018

TITLE:  
**Adapter, N Waterproof Bulkhead Female to SMA Female**



Cmppter Electronics Co., Ltd. [www.cmppter.com](http://www.cmppter.com)

PART No.:  
**A-NF-SMAF-007**

SIZE: A4	SCALE: 2:1	SHEET: 1/1	REV: C
-------------	---------------	---------------	-----------

### NOTES:

- ALL SPECIFICATIONS ARE SUBJECT TO CHANGE WITHOUT NOTICE AT ANY TIME
- UNLESS OTHERWISE SPECIFIED ALL DIMENSIONS ARE NOMINAL.