

REVISIONS

REV	DESCRIPTION OF REVISION	ECN No.	DATE	APPROVED
A	INITIAL RELEASE	---	03/06/2014	M. Dong
B	ADD ELECTRICAL DATA	---	07/15/2014	M. Dong

TECHNICAL DATA

Electrical

Impedance	50 Ω
Frequency range	0~11 GHz
VSWR	≤1.30
Insertion Loss	≤0.3 dB
Withstanding voltage	1000 V
Insulation resistance	≥5000MΩ

Mechanical & Environmental

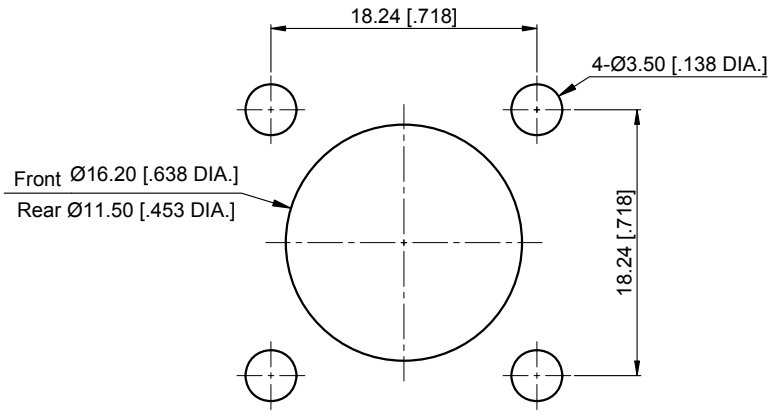
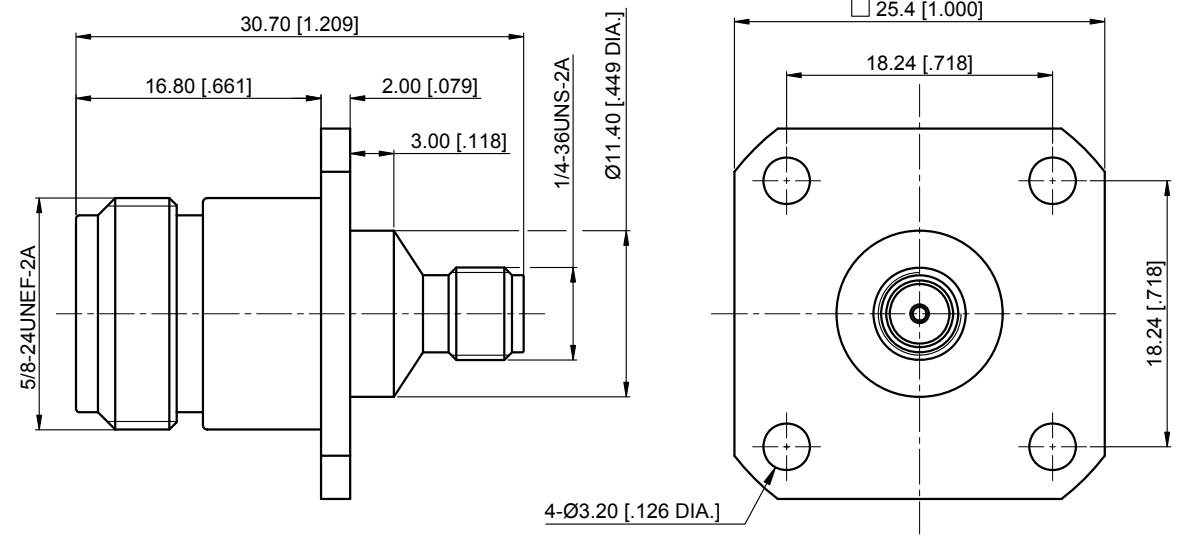
Durability (matings)	>500
Temperature range	-55 °C ~ +165 °C
RoHS Compliant	Yes

Material & Finish

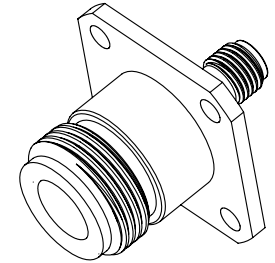
Body	Brass, Nickel-plated
Pin Contact	Beryllium Copper Alloy, Gold-plated
Insulator	PTFE

Interface Standards

N	IEC-60169
SMA	IEC-60169



Recommended Mounting Hole



- NOTES:
- ALL SPECIFICATIONS ARE SUBJECT TO CHANGE WITHOUT NOTICE AT ANY TIME
 - UNLESS OTHERWISE SPECIFIED ALL DIMENSIONS ARE NOMINAL.

UNLESS OTHERWISE SPECIFIED, DIMENSIONS ARE IN MILLIMETERS [INCHES]. UNLESS OTHERWISE SPECIFIED DIMENSIONAL TOLERANCES ARE: .XX ±0.13 [.005"] .X ±0.20 [.008"] X ±0.50 [.019"] ANGULAR TOLERANCES ARE: ALL ±1° DO NOT SCALE DRAWING PROJECTION:
--

DRAWN:	L. Ma	07/15/2014
CHECKED:	J. Zhu	07/15/2014
APPROVED:	M. Dong	07/15/2014

TITLE:
Adapter, N Female to SMA Female, 4 Hole Flange

CMPPTER®
 Cmppter Electronics Co., Ltd. www.cmppter.com

PART No.:
A-NF-SMAF-239

SIZE: A4	SCALE: 2:1	SHEET: 1/1	REV: B
-------------	---------------	---------------	-----------