

REV	DESCRIPTION OF REVISION	ECN No.	BY	DATE	APPROVED
A	INITIAL RELEASE	—	L. Ma	04/08/10	04/08/10

TECHNICAL DATA

■ Electrical data

Impedance	50 Ω
Frequency range	0~18 GHz
VSWR	1.15:1

■ Mechanical data

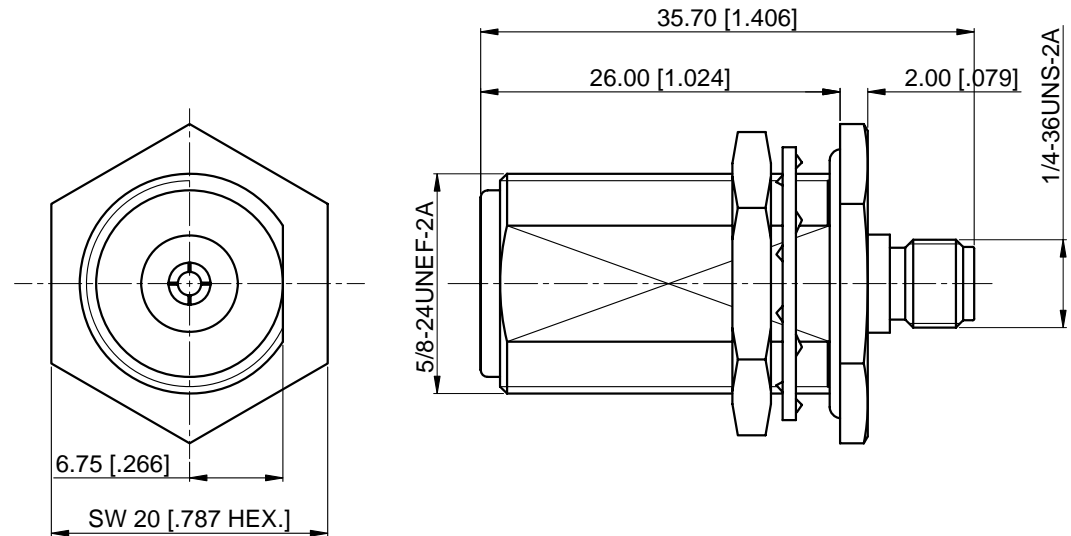
Temperature range	-55 °C ~ +165 °C
Durability (matings)	>500

■ Material data

Body	Stainless Steel (SU303), Passivated
Pin Contact	Beryllium Copper Alloy, Gold-plated
Insulator	PEI, PTFE


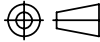
■ Interface Standards

N	MIL-STD-348A
SMA	MIL-STD-348A



NOTES:

- ALL SPECIFICATIONS ARE SUBJECT TO CHANGE WITHOUT NOTICE AT ANY TIME
- CUSTOMER OUTLINE DRAWING FOR REFERENCE ONLY

DRAWN: L. Ma 04/08/10	TITLE: Precision Adapter, N Bulkhead Female to SMA Female	 www.cmpter.com			
ENGINEER: J. Zhu 04/08/10					
APPROVED: M. Dong 04/08/10		 DIMENSIONS IN MILLIMETERS (mm)			
TOLERANCE UNLESS OTHERWISE SPECIFIED	PART No.: P-NF-SMAF-127	SIZE: A4	SCALE: 2:1	SHEET: 1/1	REV: A
X ±0.50 [.019"] .X ±0.20 [.008"] .XX ±0.10 [.004"] ANGLES ±1°					