

# TECHNICAL DATA

## Electrical

Impedance 50 Ω  
 Frequency range 0~18 GHz  
 VSWR 1.15:1

## Mechanical & Environmental

Durability (matings) >500  
 Temperature range -55 °C ~ +165 °C  
 RoHS Compliant Yes

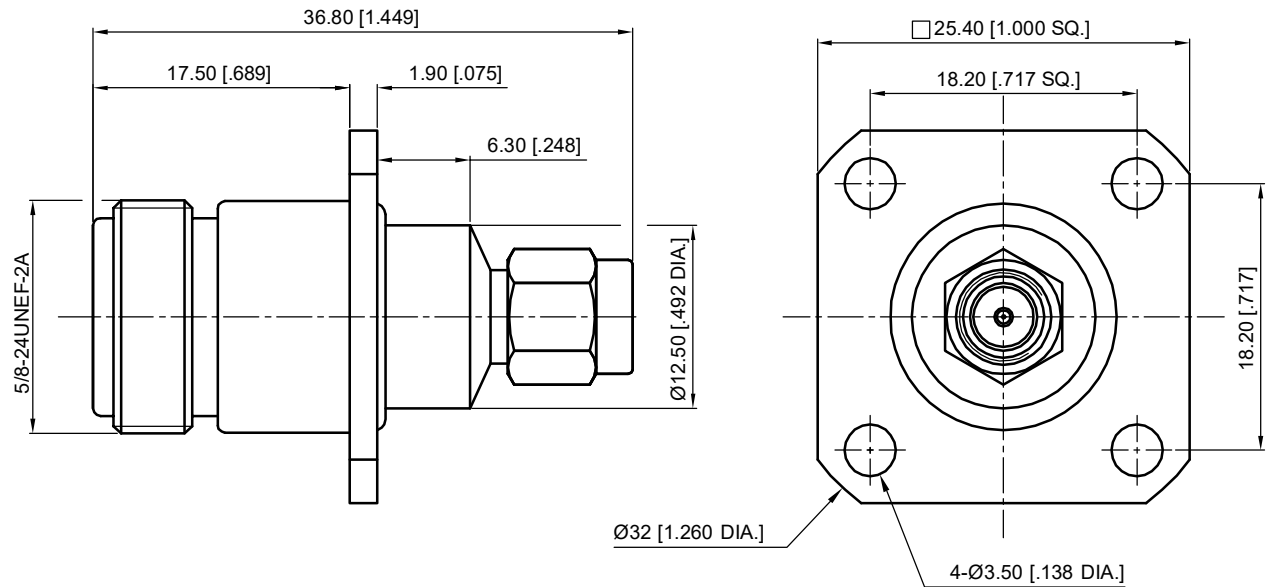
## Material & Finish

Body Stainless Steel (SU303), Passivated  
 Pin Contact Beryllium Copper Alloy, Gold-plated  
 Insulator PEI, PTFE

## Interface Standards

N MIL-STD-348A  
 SMA MIL-STD-348A

REVISIONS				
REV	DESCRIPTION OF REVISION	ECN No.	DATE	APPROVED
A	INITIAL RELEASE	—	07/11/2017	M. Dong



### NOTES:

- ALL SPECIFICATIONS ARE SUBJECT TO CHANGE WITHOUT NOTICE AT ANY TIME
- UNLESS OTHERWISE SPECIFIED ALL DIMENSIONS ARE NOMINAL.

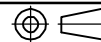
UNLESS OTHERWISE SPECIFIED, DIMENSIONS ARE IN MILLIMETERS [INCHES].  
 UNLESS OTHERWISE SPECIFIED DIMENSIONAL TOLERANCES ARE:

.XX ±0.13 [.005"]  
 .X ±0.20 [.008"]  
 X ±0.50 [.019"]

ANGULAR TOLERANCES ARE: ALL= ±1°

DO NOT SCALE DRAWING

PROJECTION:



DRAWN:	L. Ma	07/11/2017
CHECKED:	J. Zhu	07/11/2017
APPROVED:	M. Dong	07/11/2017

TITLE:  
**Precision Adapter, N Female to SMA Male, 4 Hole Flange**

**CMPPTER**®

Cmppter Electronics Co., Ltd. [www.cmppter.com](http://www.cmppter.com)

PART No.:

**P-NF-SMAM-313**

SIZE: A4	SCALE: 2.5:1	SHEET: 1/1	REV: A
-------------	-----------------	---------------	-----------