

TECHNICAL DATA

Electrical

Impedance 50 Ω
 Frequency range 0~6 GHz
 Withstanding voltage 500 V
 Insulation resistance ≥1000MΩ

Mechanical & Environmental

Durability (matings) >500
 Temperature range -55 °C ~ +165 °C
 RoHS Compliant Yes

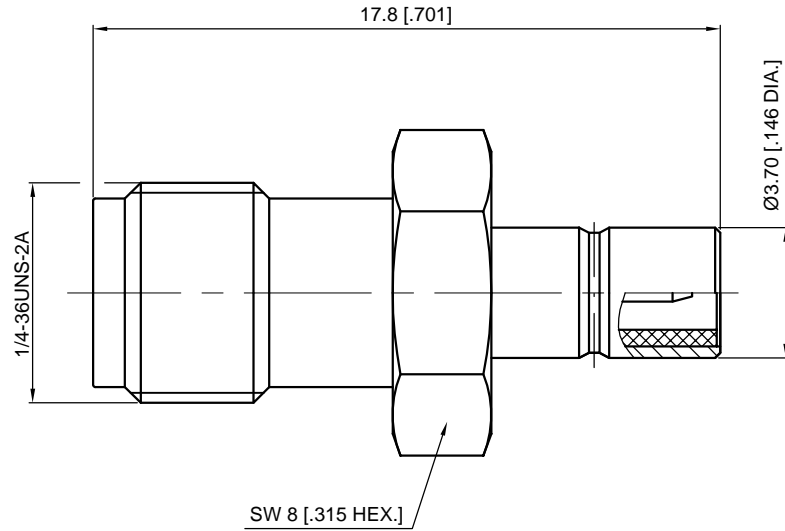
Material & Finish

Body Brass, Gold-plated
 Pin Contact Phosphor Bronze, Gold-plated
 Insulator PTFE

Interface Standards

SMA IEC-60169-15
 SMB IEC-60169-10

REVISIONS				
REV	DESCRIPTION OF REVISION	ECN No.	DATE	APPROVED
A	INITIAL RELEASE	---	06/19/2013	M. Dong
B	DIMENSIONS CHANGED	---	12/05/2019	M. Dong



1
2
3
4
5
6
7

1
2
3
4
5
6
7

- NOTES:
- ALL SPECIFICATIONS ARE SUBJECT TO CHANGE WITHOUT NOTICE AT ANY TIME
 - UNLESS OTHERWISE SPECIFIED ALL DIMENSIONS ARE NOMINAL.

UNLESS OTHERWISE SPECIFIED, DIMENSIONS ARE IN MILLIMETERS [INCHES]. UNLESS OTHERWISE SPECIFIED DIMENSIONAL TOLERANCES ARE: .XX ±0.13 [.005"] X ±0.20 [.008"] X ±0.50 [.019"] ANGULAR TOLERANCES ARE: ALL= ±1° DO NOT SCALE DRAWING PROJECTION:	DRAWN:	L. Ma	12/05/2019
	CHECKED:	J. Zhu	12/05/2019
	APPROVED:	M. Dong	12/05/2019
	TITLE:		
Adapter, SMA Female to SMB Jack (Male Center Contact)			

CMP TER®
 Cmpter Electronics Co., Ltd. www.cmpter.com

PART No.:
A-SMAF-SMBF-220

SIZE: A4	SCALE: 5:1	SHEET: 1/1	REV: B
----------	------------	------------	--------