

TECHNICAL DATA

Electrical

| | |
|-----------------------|---------|
| Impedance | 50 Ω |
| Frequency range | 0~6 GHz |
| Withstanding voltage | 1000 V |
| Insulation resistance | ≥5000MΩ |

Mechanical & Environmental

| | |
|----------------------|------------------|
| Durability (matings) | >500 |
| Temperature range | -65 °C ~ +165 °C |
| RoHS Compliant | Yes |

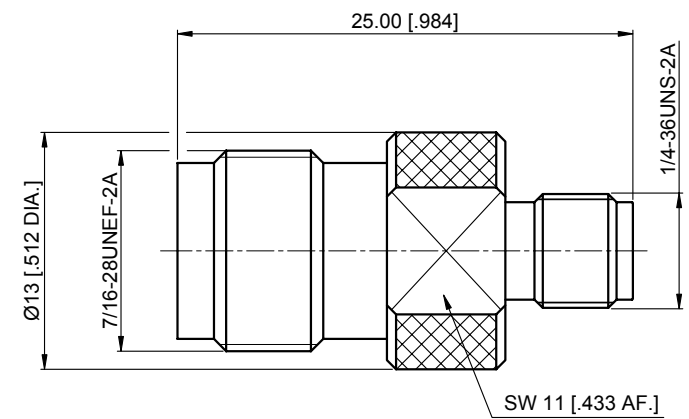
Material & Finish

| | |
|-------------|------------------------------|
| Body | Brass, Nickel-plated |
| Pin Contact | Phosphor Bronze, Gold-plated |
| Insulator | PTFE |

Interface Standards

| | |
|-----|-----------|
| TNC | IEC-60169 |
| SMA | IEC-60169 |

| REVISIONS | | | | |
|-----------|-------------------------|---------|------------|----------|
| REV | DESCRIPTION OF REVISION | ECN No. | DATE | APPROVED |
| A | INITIAL RELEASE | — | 05/11/2010 | M. Dong |
| B | DIMENSIONS CHANGED | — | 11/21/2014 | M. Dong |



| |
|---|
| UNLESS OTHERWISE SPECIFIED, DIMENSIONS ARE IN MILLIMETERS (INCHES). UNLESS OTHERWISE SPECIFIED DIMENSIONAL TOLERANCES ARE: .XX ±0.13 [0.005"] .X ±0.20 [0.008"] X ±0.50 [0.019"] ANGULAR TOLERANCES ARE: ALL±1° DO NOT SCALE DRAWING PROJECTION: |
|---|

| | | |
|-----------|---------|------------|
| DRAWN: | L. Ma | 11/21/2014 |
| CHECKED: | J. Zhu | 11/21/2014 |
| APPROVED: | M. Dong | 11/21/2014 |

TITLE:
Adpater, TNC Female to SMA Female

| | | | |
|--|-----------------|---------------|-----------|
| | | | |
| Cmptter Electronics Co., Ltd. www.cmptter.com | | | |
| PART No.: A-TNCF-SMAF-063 | | | |
| SIZE: A4 | SCALE: 2.5:1 | SHEET: 1/1 | REV: B |

- NOTES:
- ALL SPECIFICATIONS ARE SUBJECT TO CHANGE WITHOUT NOTICE AT ANY TIME
 - UNLESS OTHERWISE SPECIFIED ALL DIMENSIONS ARE NOMINAL.