

TECHNICAL DATA

Electrical

Impedance	50 Ω
Frequency range	0~6 GHz
Withstanding voltage	1000 V
Insulation resistance	≥5000MΩ

Mechanical & Environmental

Durability (matings)	>500
Temperature range	-65 °C ~ +165 °C
RoHS Compliant	Yes

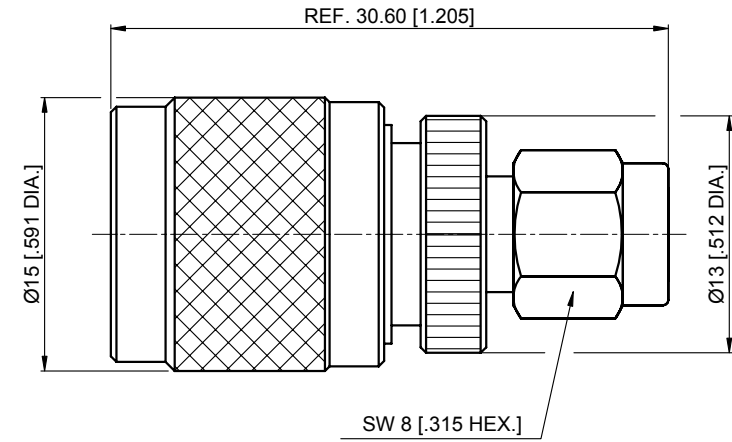
Material & Finish

Body	Brass, Nickel-plated
Coupling Nut	Brass, Nickel-plated
Pin Contact	Brass, Gold-plated
Insulator	PTFE
Gasket	Silicone Rubber

Interface Standards

TNC	IEC-60169
SMA	IEC-60169

REVISIONS				
REV	DESCRIPTION OF REVISION	ECN No.	DATE	APPROVED
A	INITIAL RELEASE	—	05/11/2010	M. Dong
B	DIMENSIONS CHANGED	—	11/21/2014	M. Dong



UNLESS OTHERWISE SPECIFIED, DIMENSIONS ARE IN MILLIMETERS [INCHES]. UNLESS OTHERWISE SPECIFIED DIMENSIONAL TOLERANCES ARE: .XX ±0.13 [0.005"] .X ±0.20 [0.008"] X ±0.50 [0.019"] ANGULAR TOLERANCES ARE: ALL±1° DO NOT SCALE DRAWING PROJECTION:

DRAWN:	L. Ma	11/21/2014
CHECKED:	J. Zhu	11/21/2014
APPROVED:	M. Dong	11/21/2014

TITLE:
Adapter, TNC Male to SMA Male

CMPPTER[®]
Cmptter Electronics Co., Ltd. www.cmptter.com

PART No.:
A-TNCM-SMAM-067

SIZE: A4	SCALE: 2.5:1	SHEET: 1/1	REV: B
----------	--------------	------------	--------

- NOTES:
- ALL SPECIFICATIONS ARE SUBJECT TO CHANGE WITHOUT NOTICE AT ANY TIME
 - UNLESS OTHERWISE SPECIFIED ALL DIMENSIONS ARE NOMINAL.