

REV	DESCRIPTION OF REVISION	ECN No.	BY	DATE	APPROVED
A	INITIAL RELEASE	—	L. Ma	06/16/10	06/16/10

TECHNICAL DATA

■ Electrical data

Impedance	50 Ω
Frequency range	0~11 GHz
VSWR	1.15:1

■ Mechanical data

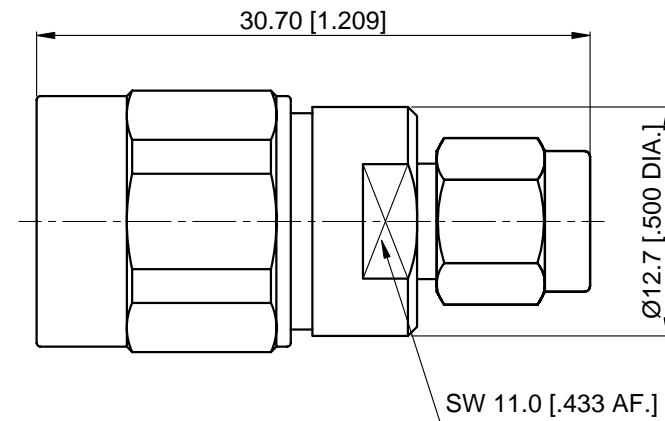
Temperature range	-55 °C ~ +165 °C
Durability (matings)	>500

■ Material data

Body	Stainless Steel (SU303), Passivated
Pin Contact	Beryllium Copper Alloy, Gold-plated
Insulator	PEI, PTFE

■ Interface Standards

TNC	MIL-STD-348A
SMA	MIL-STD-348A



NOTES:

- ALL SPECIFICATIONS ARE SUBJECT TO CHANGE WITHOUT NOTICE AT ANY TIME
- CUSTOMER OUTLINE DRAWING FOR REFERENCE ONLY

DRAWN: L. Ma 06/16/10

ENGINEER: J. Zhu 06/16/10

APPROVED: M. Dong 06/16/10

TOLERANCE UNLESS OTHERWISE SPECIFIED

X	±0.50	[.019"]
.X	±0.20	[.008"]
.XX	±0.10	[.004"]
ANGLES	±1°	

TITLE:

Precision Adapter, TNC
Male to SMA Male

PART No.: P-TNCM-SMAM-171

CMPTER®

www.cmppter.com



DIMENSIONS IN MILLIMETERS (mm)

SIZE:
A4

SCALE:
2.5:1

SHEET:
1/1

REV:
A