

REVISIONS				
REV	DESCRIPTION OF REVISION	ECN No.	DATE	APPROVED
A	INITIAL RELEASE	—	07/26/2019	M. Dong

TECHNICAL DATA

Electrical

Impedance 50 Ω
 Frequency range 0~ 6 GHz
 Withstanding voltage 1000 V

Mechanical & Environmental

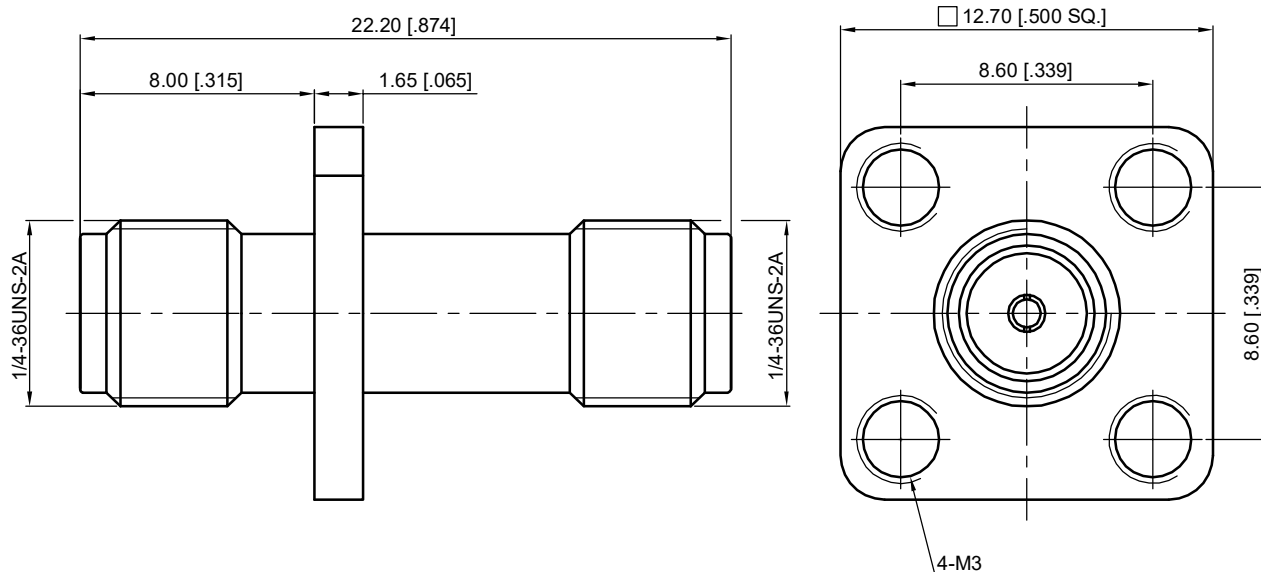
Durability (matings) >500
 Temperature range -55 °C ~ +165 °C
 RoHS Compliant Yes

Material & Finish

Body Brass, Gold-plated
 Pin Contact Phosphor Bronze, Gold-plated
 Gasket Silicone Rubber
 Insulator P TFE

Interface Standards

SMA IEC-60169



UNLESS OTHERWISE SPECIFIED, DIMENSIONS ARE IN MILLIMETERS (INCHES). UNLESS OTHERWISE SPECIFIED DIMENSIONAL TOLERANCES ARE: .XX ±0.13 [0.005] .X ±0.20 [0.008] X ±0.50 [0.019] ANGULAR TOLERANCES ARE: ALL= ±1° DO NOT SCALE DRAWING PROJECTION:	
---	--

DRAWN:	L. Ma	07/26/2019
CHECKED:	J. Zhu	07/26/2019
APPROVED:	M. Dong	07/26/2019

TITLE:
Adapter, SMA Female to SMA Female, 4 Hole Flange

CMPPTER[®]
 Cmppter Electronics Co., Ltd. www.cmppter.com

PART No.:
A-SMAF-SMAF-371

SIZE: A4	SCALE: 4:1	SHEET: 1/1	REV: A
----------	------------	------------	--------

- NOTES:
- ALL SPECIFICATIONS ARE SUBJECT TO CHANGE WITHOUT NOTICE AT ANY TIME
 - UNLESS OTHERWISE SPECIFIED ALL DIMENSIONS ARE NOMINAL.