

REV	DESCRIPTION OF REVISION	ECN No.	BY	DATE	APPROVED
A	INITIAL RELEASE	—	L. Ma	06/21/10	06/21/10

## TECHNICAL DATA

### ■ Electrical data

Impedance	50 Ω
Frequency range	0~27 GHz
VSWR	1.15:1

### ■ Mechanical data

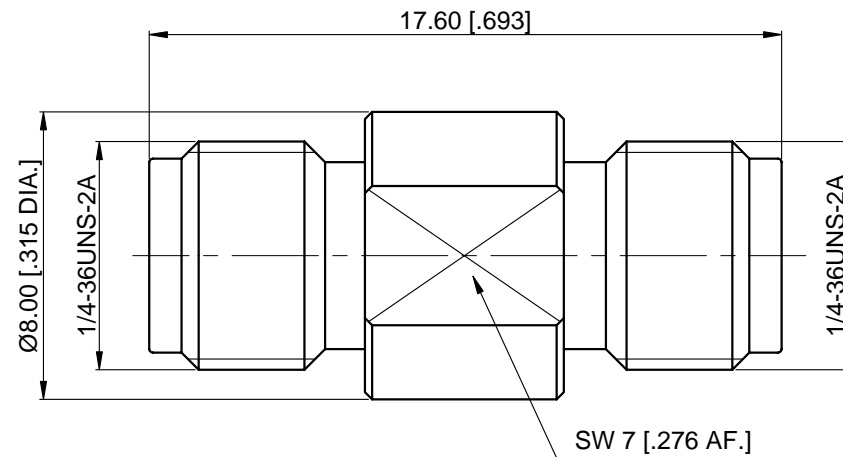
Temperature range	-55 °C ~ +165 °C
Durability (matings)	>500

### ■ Material data

Body	Stainless Steel (SU303), Passivated
Pin Contact	Beryllium Copper Alloy, Gold-plated
Insulator	PEI, PTFE


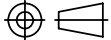
### ■ Interface Standards

SMA	MIL-STD-348A
-----	--------------



#### NOTES:

- ALL SPECIFICATIONS ARE SUBJECT TO CHANGE WITHOUT NOTICE AT ANY TIME
- CUSTOMER OUTLINE DRAWING FOR REFERENCE ONLY

DRAWN: L. Ma 06/21/10	TITLE: <b>Precision Adapter, SMA Female to SMA Female</b>	 <a href="http://www.cmpter.com">www.cmpter.com</a>			
ENGINEER: J. Zhu 06/21/10					
APPROVED: M. Dong 06/21/10		 DIMENSIONS IN MILLIMETERS (mm)			
TOLERANCE UNLESS OTHERWISE SPECIFIED	PART No.: P-SMAF-SMAF-181	SIZE: A4	SCALE: 5:1	SHEET: 1/1	REV: A
X ±0.50 [.019"] .X ±0.20 [.008"] .XX ±0.10 [.004"] ANGLES ±1°					