

TECHNICAL DATA

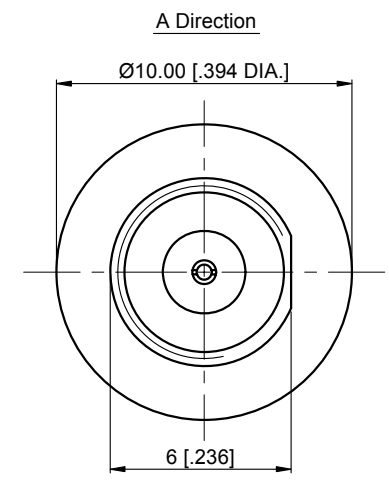
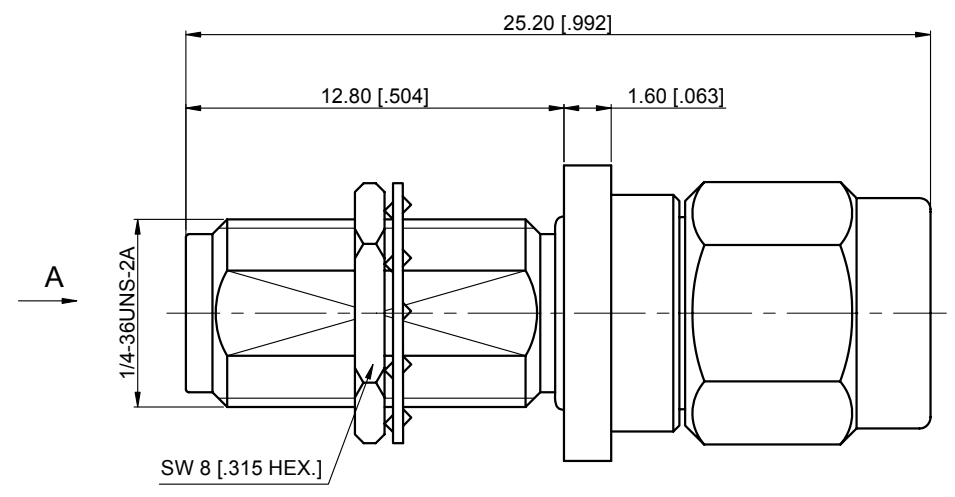
Electrical
 Impedance 50 Ω
 Frequency range 0~27 GHz
 VSWR 1.15:1

Mechanical & Environmental
 Durability (matings) >500
 Temperature range -55 °C ~ +165 °C
 RoHS Compliant Yes

Material & Finish
 Body Stainless Steel (SU303), Passivated
 Pin Contact Beryllium Copper Alloy, Gold-plated
 O-Ring Silicone Rubber
 Insulator PEI

Interface Standards
 SMA MIL-STD-348A

REVISIONS				
REV	DESCRIPTION OF REVISION	ECN No.	DATE	APPROVED
A	INITIAL RELEASE	—	11/07/2014	M. Dong



UNLESS OTHERWISE SPECIFIED, DIMENSIONS ARE IN MILLIMETERS [INCHES]. UNLESS OTHERWISE SPECIFIED DIMENSIONAL TOLERANCES ARE: .XX ±0.13 [0.005"] .X ±0.20 [0.008"] X ±0.50 [0.019"] ANGULAR TOLERANCES ARE: ALL±1° DO NOT SCALE DRAWING PROJECTION:	DRAWN: L. Ma 11/07/2014 CHECKED: J. Zhu 11/07/2014 APPROVED: M. Dong 11/07/2014
---	---

TITLE: Precision Adapter, SMA Male to SMA Bulkhead Female

 Cmptter Electronics Co., Ltd. www.cmptter.com			
PART No.: P-SMAM-SMAF-258			
SIZE: A4	SCALE: 4:1	SHEET: 1/1	REV: A

- NOTES:
- ALL SPECIFICATIONS ARE SUBJECT TO CHANGE WITHOUT NOTICE AT ANY TIME
 - UNLESS OTHERWISE SPECIFIED ALL DIMENSIONS ARE NOMINAL.