

REVISIONS				
REV	DESCRIPTION OF REVISION	ECN No.	DATE	APPROVED
A	INITIAL RELEASE	—	09/25/2014	M. Dong

TECHNICAL DATA

Electrical

Impedance 50 Ω
 Frequency range 0~27 GHz
 VSWR 1.25:1

Mechanical & Environmental

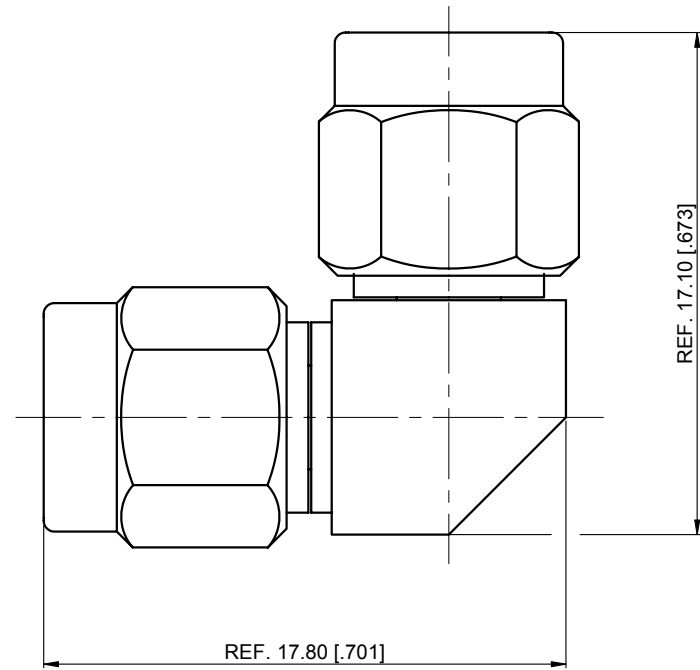
Durability (matings) >500
 Temperature range -55 °C ~ +165 °C
 RoHS Compliant Yes

Material & Finish

Body Stainless Steel (SU303), Passivated
 Pin Contact Beryllium Copper Alloy, Gold-plated
 Coupling Nut Stainless Steel (SU303), Passivated
 Insulator PTFE

Interface Standards

SMA MIL-STD-348A



UNLESS OTHERWISE SPECIFIED, DIMENSIONS ARE IN MILLIMETERS [INCHES].	
UNLESS OTHERWISE SPECIFIED DIMENSIONAL TOLERANCES ARE:	
.XX	±0.13 [.005"]
X	±0.20 [.008"]
X	±0.50 [.019"]
ANGULAR TOLERANCES ARE: ALL=±1°	
DO NOT SCALE DRAWING	
PROJECTION:	

DRAWN:	L. Ma	09/25/2014
CHECKED:	J. Zhu	09/25/2014
APPROVED:	M. Dong	09/25/2014

TITLE:
**Precision Adapter,
 Right Angle, SMA Male
 to SMA Male**

CMPPTER[®]
 Cmppter Electronics Co., Ltd. www.cmppter.com

PART No.:
PR-SMAM-SMAM-262

SIZE: A4	SCALE: 4:1	SHEET: 1/1	REV: A
-------------	---------------	---------------	-----------

- NOTES:
- ALL SPECIFICATIONS ARE SUBJECT TO CHANGE WITHOUT NOTICE AT ANY TIME
 - UNLESS OTHERWISE SPECIFIED ALL DIMENSIONS ARE NOMINAL.