

A B C D E F G H I J

**TECHNICAL DATA**

**Electrical**

Impedance 50 Ω  
 Frequency range 0~40 GHz  
 VSWR 1.35:1

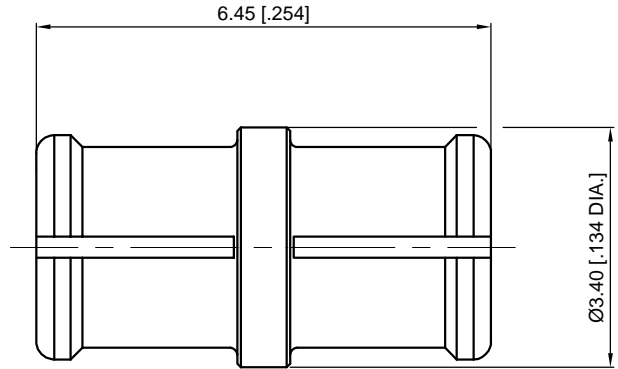
**Mechanical & Environmental**

Durability (matings) >500  
 Temperature range -55 °C ~ +165 °C  
 RoHS Compliant Yes

**Material & Finish**

Body Beryllium Copper Alloy,Gold-plated  
 Pin Contact Beryllium Copper Alloy,Gold-plated  
 Insulator PEI & PTFE

REVISIONS				
REV	DESCRIPTION OF REVISION	ECN No.	DATE	APPROVED
A	INITIAL RELEASE	—	03/12/2019	M. Dong



UNLESS OTHERWISE SPECIFIED, DIMENSIONS ARE IN MILLIMETERS [INCHES]. UNLESS OTHERWISE SPECIFIED DIMENSIONAL TOLERANCES ARE: .XX ±0.13 [.005"] X ±0.20 [.008"] X ±0.50 [.019"] ANGULAR TOLERANCES ARE: ALL= ±1°
DO NOT SCALE DRAWING
PROJECTION:

DRAWN:	L. Ma	03/12/2019
CHECKED:	J. Zhu	03/12/2019
APPROVED:	M. Dong	03/12/2019

TITLE:  
**Adapter, SMP Female to SMP Female**

**CMP TER**®  
 Cmpter Electronics Co., Ltd. [www.cmpter.com](http://www.cmpter.com)

PART No.:  
**P-SMPF-SMPF-372**

SIZE: A4	SCALE: 10:1	SHEET: 1/1	REV: A
----------	-------------	------------	--------

- NOTES:
- ALL SPECIFICATIONS ARE SUBJECT TO CHANGE WITHOUT NOTICE AT ANY TIME
  - UNLESS OTHERWISE SPECIFIED ALL DIMENSIONS ARE NOMINAL.

A B C D E F G H I J