

TECHNICAL DATA

Electrical

Impedance	50 Ω
Frequency range	0~ 3 GHz
VSWR	≤1.25
Withstanding voltage	250 V
Insulation resistance	≥1000MΩ

Mechanical & Environmental

Durability (matings)	>500
Temperature range	- 55 °C ~ +155 °C
RoHS Compliant	Yes

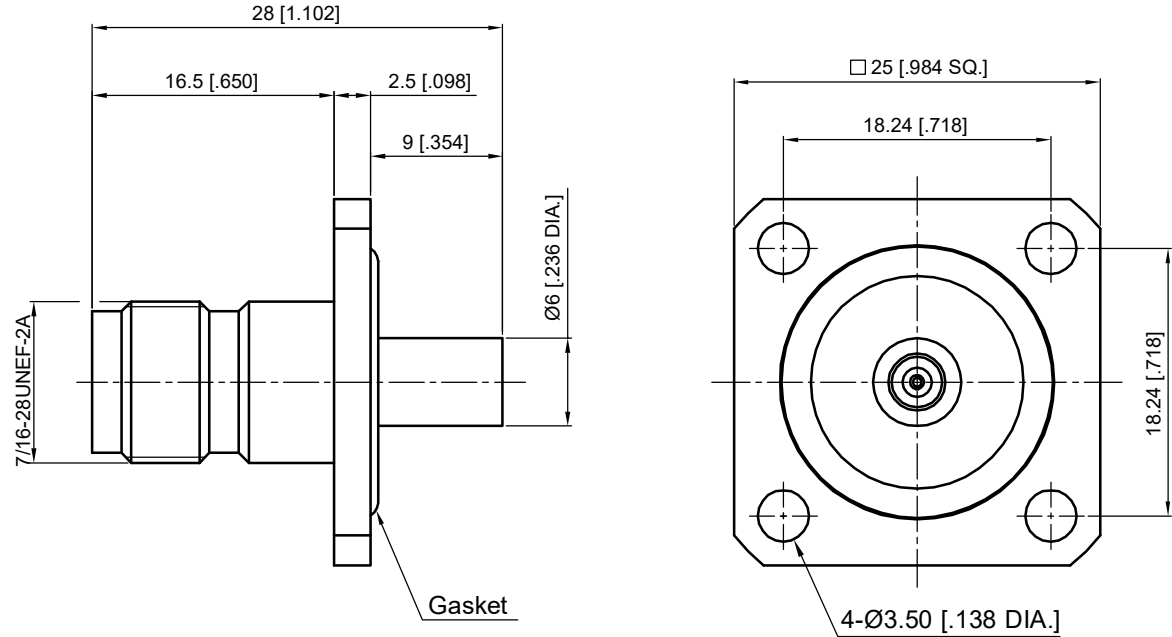
Material & Finish

Body	Brass, 3.05μm Nickel-plated
Pin Contact	Beryllium Copper Alloy, 0.05μm Gold-plated
Insulator	PTFE
Gasket	Silicone Rubber

Interface Standards

TNC	MIL-STD-348A
MCX	MIL-STD-348A

REVISIONS				
REV	DESCRIPTION OF REVISION	ECN No.	DATE	APPROVED
A	INITIAL RELEASE	—	06/26/2018	M. Dong



- NOTES:
1. ALL SPECIFICATIONS ARE SUBJECT TO CHANGE WITHOUT NOTICE AT ANY TIME
 2. UNLESS OTHERWISE SPECIFIED ALL DIMENSIONS ARE NOMINAL.

UNLESS OTHERWISE SPECIFIED, DIMENSIONS ARE IN MILLIMETERS [INCHES]. UNLESS OTHERWISE SPECIFIED DIMENSIONAL TOLERANCES ARE: .XX ±0.13 [0.005"] .X ±0.20 [0.008"] X ±0.50 [0.019"] ANGULAR TOLERANCES ARE: ALL= ±1°	DRAWN: L. Ma 06/26/2018
DO NOT SCALE DRAWING	CHECKED: J. Zhu 06/26/2018
PROJECTION:	APPROVED: M. Dong 06/26/2018

TITLE:	Adapter, TNC Waterproof Female to MCX Female, 4 Hole Flange	
--------	---	--

CMPPTER[®]
Cmptter Electronics Co., Ltd. www.cmptter.com

PART No.: **A-TNCF-MCXF-342**

SIZE: A4	SCALE: 2:1	SHEET: 1/1	REV: A
----------	------------	------------	--------