

TECHNICAL DATA

Electrical

Impedance	50 Ω
Frequency range	0~ 6 GHz
Withstanding voltage	1000 V
Insulation resistance	≥5000MΩ

Mechanical & Environmental

Durability (matings)	>500
Temperature range	-65 °C ~ +165 °C
RoHS Compliant	Yes

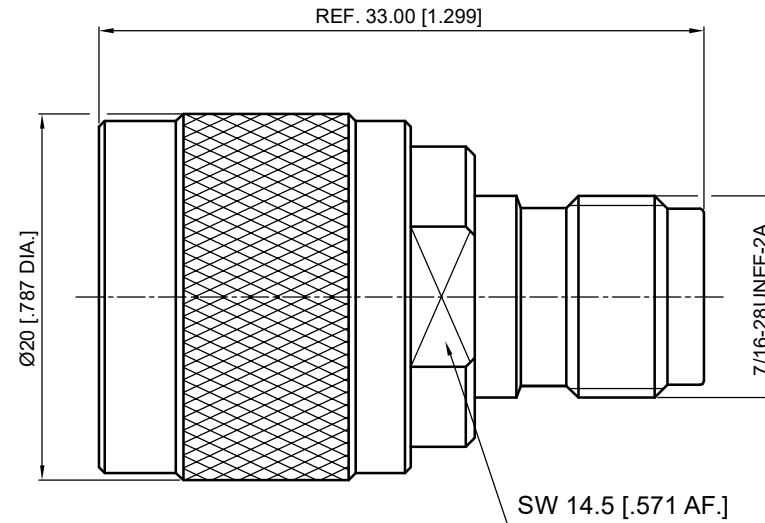
Material & Finish

Body	Brass, Nickel-plated
Coupling Nut	Brass, Nickel-plated
Pin Contact	Phosphor Bronze, Gold-plated
Insulator	PTFE
Gasket	Silicone Rubber

Interface Standards

N	IEC-60169
TNC	IEC-60169

REVISIONS				
REV	DESCRIPTION OF REVISION	ECN No.	DATE	APPROVED
A	INITIAL RELEASE	---	03/23/2007	M. Dong
B	DIMENSIONS CHANGED	---	11/25/2015	M. Dong



NOTES:

- ALL SPECIFICATIONS ARE SUBJECT TO CHANGE WITHOUT NOTICE AT ANY TIME
- UNLESS OTHERWISE SPECIFIED ALL DIMENSIONS ARE NOMINAL.

UNLESS OTHERWISE SPECIFIED, DIMENSIONS ARE IN MILLIMETERS [INCHES]. UNLESS OTHERWISE SPECIFIED DIMENSIONAL TOLERANCES ARE: .XX ±0.13 [.005"] .X ±0.20 [.008"] X ±0.50 [.019"]	DRAWN: L. Ma 11/25/2015
ANGULAR TOLERANCES ARE: ALL= ±1°	CHECKED: J. Zhu 11/25/2015
DO NOT SCALE DRAWING	APPROVED: M. Dong 11/25/2015
PROJECTION:	TITLE: Adapter, N Male to TNC Female

DRAWN: L. Ma 11/25/2015		
CHECKED: J. Zhu 11/25/2015		
APPROVED: M. Dong 11/25/2015		
TITLE: Adapter, N Male to TNC Female		

CMP TER®
Cmpter Electronics Co., Ltd. www.cmpter.com

PART No.: **A-NM-TNCF-009**

SIZE: A4	SCALE: 2.5:1	SHEET: 1/1	REV: B
----------	--------------	------------	--------