

TECHNICAL DATA

Electrical

Impedance 50 Ω
 Frequency range 0~ 6 GHz
 Withstanding voltage 1000 V
 Insulation resistance ≥5000MΩ

Mechanical & Environmental

Durability (matings) >500
 Temperature range -65 °C ~ +165 °C
 RoHS Compliant Yes

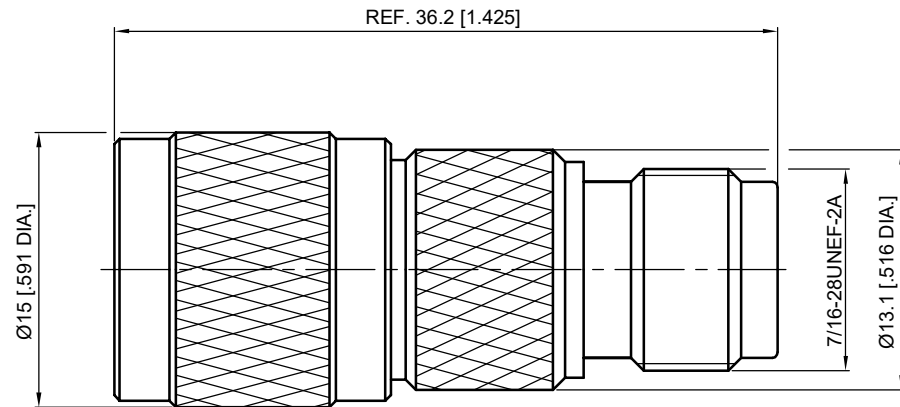
Material & Finish

Body Brass, Nickel-plated
 Coupling Nut Brass, Nickel-plated
 Pin Contact Phosphor Bronze ,Gold-plated
 Insulator PTFE
 Gasket Silicone Rubber

Interface Standards

TNC IEC-60169

REVISIONS				
REV	DESCRIPTION OF REVISION	ECN No.	DATE	APPROVED
A	INITIAL RELEASE	—	06/14/2008	M. Dong
B	DIMENSIONS CHANGED	—	12/03/2017	M. Dong



UNLESS OTHERWISE SPECIFIED, DIMENSIONS ARE IN MILLIMETERS (INCHES). UNLESS OTHERWISE SPECIFIED DIMENSIONAL TOLERANCES ARE: .XX ±0.13 [.005"] .X ±0.20 [.008"] X ±0.50 [.019"] ANGULAR TOLERANCES ARE: ALL= ±1° DO NOT SCALE DRAWING PROJECTION:
--

DRAWN:	L. Ma	12/03/2017
CHECKED:	J. Zhu	12/03/2017
APPROVED:	M. Dong	12/03/2017

TITLE:
Adapter, TNC Male to TNC Female

CMP TER [®]			
Cmpter Electronics Co., Ltd. www.cmpter.com			
PART No.: A-TNCM-TNCF-041			
SIZE: A4	SCALE: 2.5:1	SHEET: 1/1	REV: B

NOTES:

- ALL SPECIFICATIONS ARE SUBJECT TO CHANGE WITHOUT NOTICE AT ANY TIME
- UNLESS OTHERWISE SPECIFIED ALL DIMENSIONS ARE NOMINAL.