

# TECHNICAL DATA

## Electrical

Impedance	50 Ω
Frequency range	0~65 GHz
VSWR	1.25:1
Contact resistance	
-centre contact	≤3mΩ
-outer contact	≤2.5mΩ
Dielectric withstanding voltage	>500V
Insulation resistance	≥3000MΩ

## Mechanical & Environmental

Durability (matings)	>500
Temperature range	-55 °C ~ +165 °C
RoHS Compliant	Yes

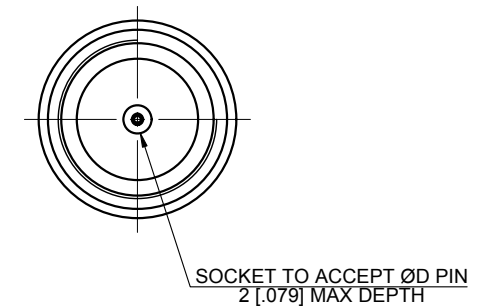
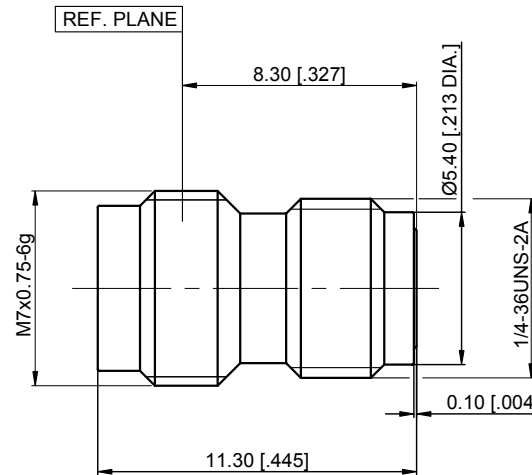
## Material & Finish

Body	Stainless Steel (SU303), Passivated
Pin Contact	Beryllium Copper Alloy, Gold-plated
Insulator	PEI

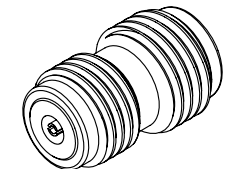
## Interface Standards

1.85mm	IEC-61169
--------	-----------

REVISIONS				
REV	DESCRIPTION OF REVISION	ECN No.	DATE	APPROVED
A	INITIAL RELEASE	—	07/30/2010	M. Dong



Part Number	ØD PIN
98-02-9A5-004A	0.23 [.009]
98-02-9A5-004B	0.30 [.012]



UNLESS OTHERWISE SPECIFIED, DIMENSIONS ARE IN MILLIMETERS [INCHES]. UNLESS OTHERWISE SPECIFIED DIMENSIONAL TOLERANCES ARE: .XX ±0.13 [.005"] .X ±0.20 [.008"] X ±0.50 [.019"]	DRAWN: H. Xiao 07/30/2010
ANGULAR TOLERANCES ARE: ALL±1°	CHECKED: YF. Zhu 07/30/2010
DO NOT SCALE DRAWING	APPROVED: M. Dong 07/30/2010
PROJECTION:	TITLE: 1.85mm Straight Female, Threaded, Accepts Pin

DRAWN: H. Xiao 07/30/2010
CHECKED: YF. Zhu 07/30/2010
APPROVED: M. Dong 07/30/2010

TITLE:  
1.85mm Straight Female,  
Threaded, Accepts Pin

**CMPPTER**<sup>®</sup>  
Cmptter Electronics Co., Ltd. [www.cmptter.com](http://www.cmptter.com)

PART No.: **98-02-9A5-004**

SIZE: A4	SCALE: 4:1	SHEET: 1/1	REV: A
----------	------------	------------	--------

### NOTES:

- ALL SPECIFICATIONS ARE SUBJECT TO CHANGE WITHOUT NOTICE AT ANY TIME
- UNLESS OTHERWISE SPECIFIED ALL DIMENSIONS ARE NOMINAL.