

REV	DESCRIPTION OF REVISION	ECN No.	BY	DATE	APPROVED
A	INITIAL RELEASE	—	H. Xiao	08/04/10	08/04/10

## TECHNICAL DATA

### ■ Electrical data

Impedance	50 Ω
Frequency range	0~50 GHz
VSWR	1.15:1
Contact resistance	
-centre contact	≤3mΩ
-outer contact	≤2mΩ
Insulation resistance	≥3000MΩ

### ■ Mechanical data

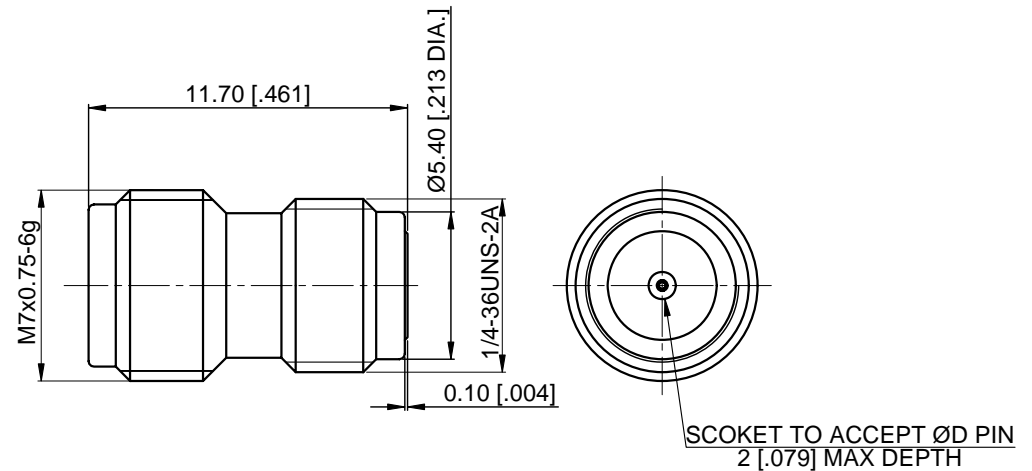
Temperature range	-55 °C ~ +165 °C
Durability (matings)	>500

### ■ Material data

Body	Stainless Steel (SU303), Passivated
Pin Contact	Beryllium Copper Alloy, Gold-plated
Insulator	PEI, PTFE

### ■ Interface Standards


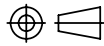
2.4mm	IEEE STD 287-2007
-------	-------------------



Part Number	ØD PIN
97-02-9A5-006	0.23 [.009]
<sup>A</sup> 97-02-9A5-006	0.30 [.012]
<sup>B</sup> 97-02-9A5-006	0.51 [.020]
<sup>C</sup>	

#### NOTES:

- ALL SPECIFICATIONS ARE SUBJECT TO CHANGE WITHOUT NOTICE AT ANY TIME
- CUSTOMER OUTLINE DRAWING FOR REFERENCE ONLY

DRAWN: H. Xiao 08/04/10	TITLE:	 www.cmppter.com				
ENGINEER: YF. Zhu 08/04/10	2.4mm Straight Female Sparkplug, Accept Pin					
APPROVED: M. Dong 08/04/10						
TOLERANCE UNLESS OTHERWISE SPECIFIED		 DIMENSIONS IN MILLIMETERS (mm)				
X ±0.50 [.019"] .X ±0.20 [.008"] .XX ±0.10 [.004"] ANGLES ±1°	PART No.: 97-02-9A5-006	<table border="1"> <tr> <td>SIZE: A4</td> <td>SCALE: 4:1</td> <td>SHEET: 1/1</td> <td>REV: A</td> </tr> </table>	SIZE: A4	SCALE: 4:1	SHEET: 1/1	REV: A
SIZE: A4	SCALE: 4:1	SHEET: 1/1	REV: A			