

REV	DESCRIPTION OF REVISION	ECN No.	BY	DATE	APPROVED
A	INITIAL RELEASE	—	H. Xiao	03/08/10	03/08/10

TECHNICAL DATA

Electrical data

Impedance	50 Ω
Frequency range	0~50 GHz
VSWR	1.15:1
Contact resistance	
-centre contact	≤3mΩ
-outer contact	≤2mΩ
Insulation resistance	≥3000MΩ

Mechanical data

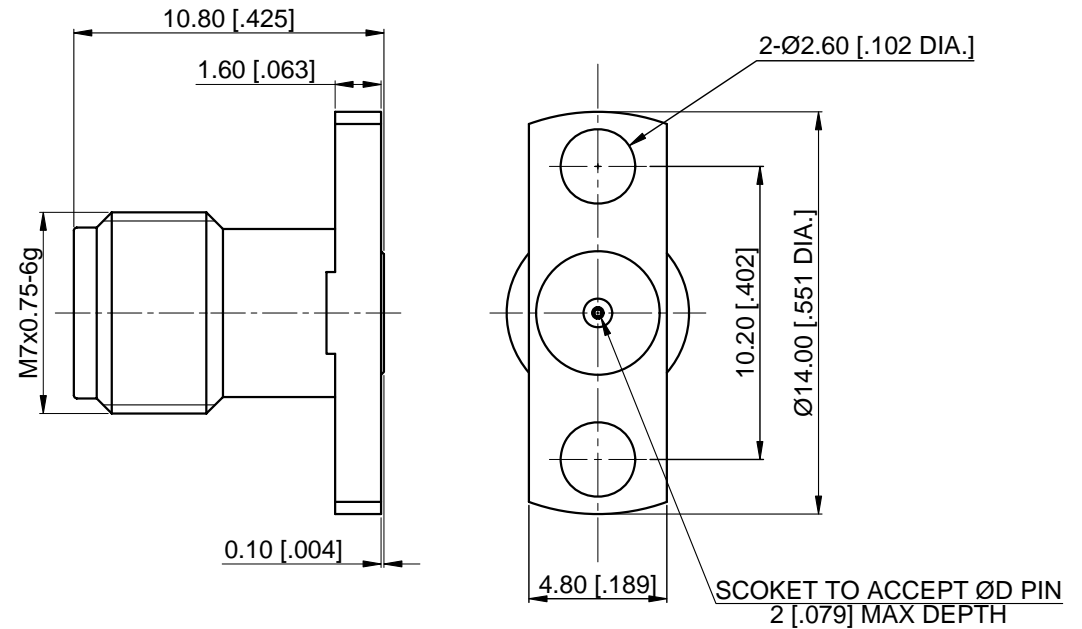
Temperature range	-55 °C ~ +165 °C
Durability (matings)	>500

Material data

Body	Stainless Steel (SU303), Passivated
Pin Contact	Beryllium Copper Alloy, Gold-plated
Insulator	PEI, PTFE

Interface Standards


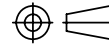
2.4mm	IEEE STD 287-2007
-------	-------------------



Part Number	ØD PIN
97-02-9E5-004A	0.23 [.009]
97-02-9E5-004B	0.30 [.012]
97-02-9E5-004C	0.51 [.020]

NOTES:

- ALL SPECIFICATIONS ARE SUBJECT TO CHANGE WITHOUT NOTICE AT ANY TIME
- CUSTOMER OUTLINE DRAWING FOR REFERENCE ONLY

DRAWN: H. Xiao 03/08/10	TITLE: 2.4mm Straight Female, 2 Hole Flange, Accept Pin	 www.cmppter.com				
ENGINEER: YF. Zhu 03/08/10						
APPROVED: M. Dong 03/08/10		 DIMENSIONS IN MILLIMETERS (mm)				
TOLERANCE UNLESS OTHERWISE SPECIFIED		PART No.: 97-02-9E5-004	SIZE: A4	SCALE: 4:1	SHEET: 1/1	REV: A
X	±0.50 [.019"]					
.X	±0.20 [.008"]					
.XX	±0.10 [.004"]					
ANGLES	±1°					