

REV	DESCRIPTION OF REVISION	ECN No.	BY	DATE	APPROVED
A	INITIAL RELEASE	—	H. Xiao	03/08/10	03/08/10

## TECHNICAL DATA

### Electrical data

Impedance	50 Ω
Frequency range	0~50 GHz
VSWR	1.15:1
Contact resistance	
-centre contact	≤3mΩ
-outer contact	≤2mΩ
Insulation resistance	≥3000MΩ

### Mechanical data

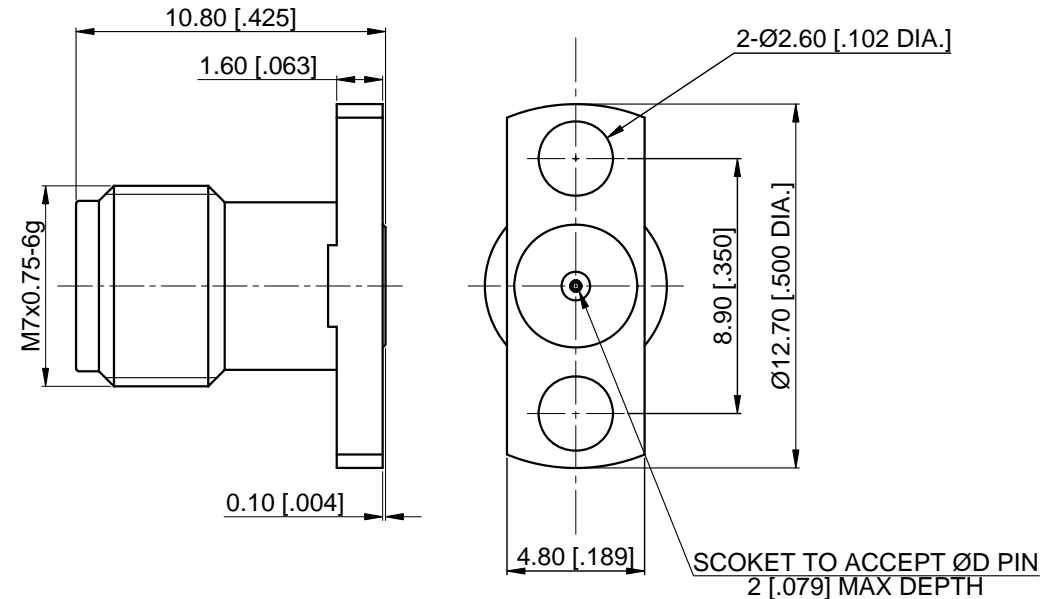
Temperature range	-55 °C ~ +165 °C
Durability (matings)	> 500

### Material data

Body	Stainless Steel (SU303), Passivated
Pin Contact	Beryllium Copper Alloy, Gold-plated
Insulator	PEI, PTFE

### Interface Standards


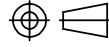
2.4mm	IEEE STD 287-2007
-------	-------------------



Part Number	ØD PIN
97-02-9E5-005A	0.23 [.009]
97-02-9E5-005B	0.30 [.012]
97-02-9E5-005C	0.51 [.020]

#### NOTES:

- ALL SPECIFICATIONS ARE SUBJECT TO CHANGE WITHOUT NOTICE AT ANY TIME
- CUSTOMER OUTLINE DRAWING FOR REFERENCE ONLY

DRAWN: H. Xiao 03/08/10	TITLE:	 <a href="http://www.cmppter.com">www.cmppter.com</a>			
ENGINEER: YF. Zhu 03/08/10	2.4mm Straight Female, 2 Hole Flange, Accept Pin				
APPROVED: M. Dong 03/08/10		 DIMENSIONS IN MILLIMETERS (mm)			
TOLERANCE UNLESS OTHERWISE SPECIFIED	PART No.: 97-02-9E5-005			SIZE: A4	SCALE: 4:1
X ±0.50 [.019"] .X ±0.20 [.008"] .XX ±0.10 [.004"] ANGLES ±1°					