

| REV | DESCRIPTION OF REVISION | ECN No. | BY | DATE | APPROVED |
|-----|-------------------------|---------|---------|----------|----------|
| A | INITIAL RELEASE | — | H. Xiao | 03/08/10 | 03/08/10 |

TECHNICAL DATA

Electrical data

| | |
|-----------------------|----------|
| Impedance | 50 Ω |
| Frequency range | 0~50 GHz |
| VSWR | 1.15:1 |
| Contact resistance | |
| -centre contact | ≤3mΩ |
| -outer contact | ≤2mΩ |
| Insulation resistance | ≥3000MΩ |

Mechanical data

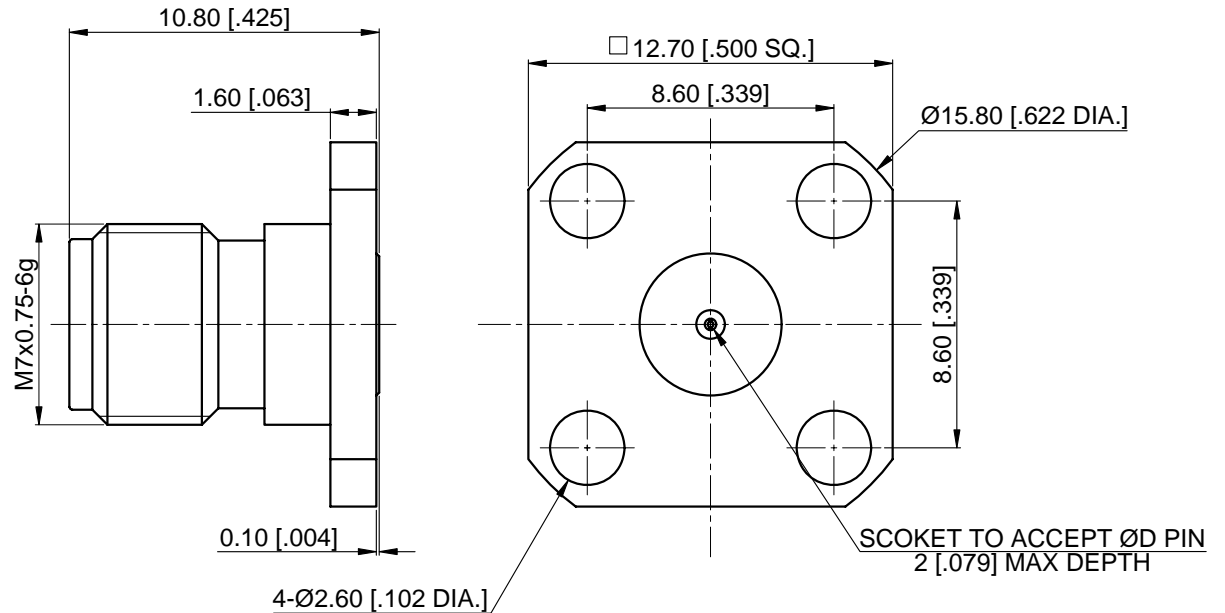
| | |
|----------------------|------------------|
| Temperature range | -55 °C ~ +165 °C |
| Durability (matings) | >500 |

Material data

| | |
|-------------|-------------------------------------|
| Body | Stainless Steel (SU303), Passivated |
| Pin Contact | Beryllium Copper Alloy, Gold-plated |
| Insulator | PEI, PTFE |

Interface Standards


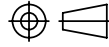
| | |
|-------|-------------------|
| 2.4mm | IEEE STD 287-2007 |
|-------|-------------------|



| Part Number | ØD PIN |
|----------------|--------------|
| 97-02-9F5-001A | 0.23 [0.009] |
| 97-02-9F5-001B | 0.30 [0.012] |
| 97-02-9F5-001C | 0.51 [0.020] |

NOTES:

- ALL SPECIFICATIONS ARE SUBJECT TO CHANGE WITHOUT NOTICE AT ANY TIME
- CUSTOMER OUTLINE DRAWING FOR REFERENCE ONLY

| | | |
|---|--|---|
| DRAWN: H. Xiao 03/08/10 | TITLE: |  www.cmppter.com |
| ENGINEER: YF. Zhu 03/08/10 | 2.4mm Straight Female, 4 Hole Flange, Accept Pin | |
| APPROVED: M. Dong 03/08/10 | | |
| TOLERANCE UNLESS OTHERWISE SPECIFIED | |  DIMENSIONS IN MILLIMETERS (mm) |
| X ±0.50 [0.019"] .X ±0.20 [0.008"] .XX ±0.10 [0.004"] ANGLES ±1° | PART No.: 97-02-9F5-001 | SIZE: A4 SCALE: 4:1 SHEET: 1/1 REV: A |