

| REV | DESCRIPTION OF REVISION | ECN No. | BY | DATE | APPROVED |
|-----|-------------------------|---------|---------|----------|----------|
| A | INITIAL RELEASE | — | H. Xiao | 03/08/10 | 03/08/10 |

TECHNICAL DATA

Electrical data

| | |
|-----------------------|----------|
| Impedance | 50 Ω |
| Frequency range | 0~50 GHz |
| VSWR | 1.15:1 |
| Contact resistance | |
| -centre contact | ≤3mΩ |
| -outer contact | ≤2mΩ |
| Insulation resistance | ≥3000MΩ |

Mechanical data

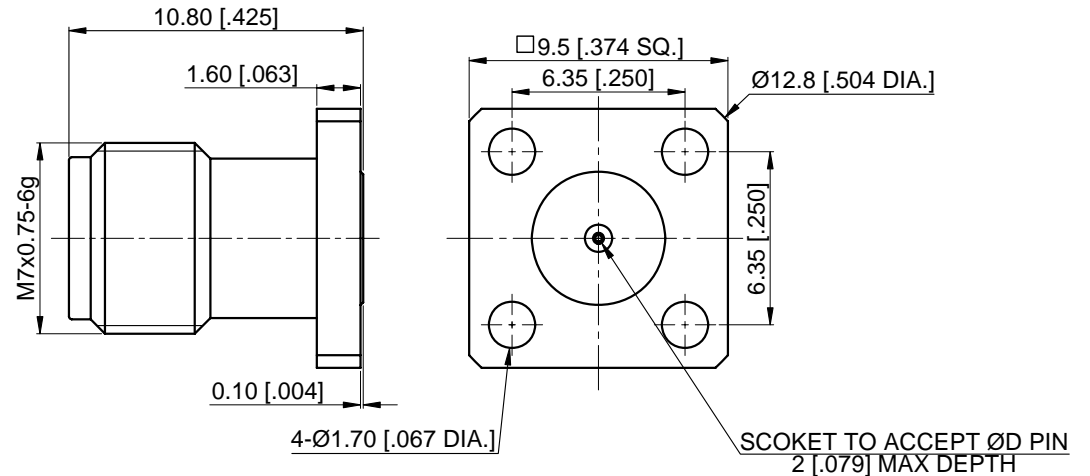
| | |
|----------------------|------------------|
| Temperature range | -55 °C ~ +165 °C |
| Durability (matings) | >500 |

Material data

| | |
|-------------|-------------------------------------|
| Body | Stainless Steel (SU303), Passivated |
| Pin Contact | Beryllium Copper Alloy, Gold-plated |
| Insulator | PEI, PTFE |

Interface Standards


| | |
|-------|-------------------|
| 2.4mm | IEEE STD 287-2007 |
|-------|-------------------|



| Part Number | ØD PIN |
|----------------|-------------|
| 97-02-9F5-002A | 0.23 [.009] |
| 97-02-9F5-002B | 0.30 [.012] |
| 97-02-9F5-002C | 0.51 [.020] |

NOTES:

- ALL SPECIFICATIONS ARE SUBJECT TO CHANGE WITHOUT NOTICE AT ANY TIME
- CUSTOMER OUTLINE DRAWING FOR REFERENCE ONLY

| | | |
|---|---|---|
| DRAWN: H. Xiao 03/08/10 ENGINEER: YF. Zhu 03/08/10 APPROVED: M. Dong 03/08/10 TOLERANCE UNLESS OTHERWISE SPECIFIED X ±0.50 [.019"] .X ±0.20 [.008"] .XX ±0.10 [.004"] ANGLES ±1° | TITLE: 2.4mm Straight Female, 4 Hole Flange, Accept Pin |  www.cmppter.com |
| PART No.: 97-02-9F5-002 | | DIMENSIONS IN MILLIMETERS (mm) |
| SIZE: A4 | SCALE: 4:1 | SHEET: 1/1 |
| | | REV: A |