

REV	DESCRIPTION OF REVISION	ECN No.	BY	DATE	APPROVED
A	INITIAL RELEASE	—	H. Xiao	08/04/10	08/04/10

TECHNICAL DATA

Electrical data

Impedance	50 Ω
Frequency range	0~50 GHz
VSWR	1.15:1
Contact resistance	
-centre contact	≤3mΩ
-outer contact	≤2mΩ
Insulation resistance	≥3000MΩ

Mechanical data

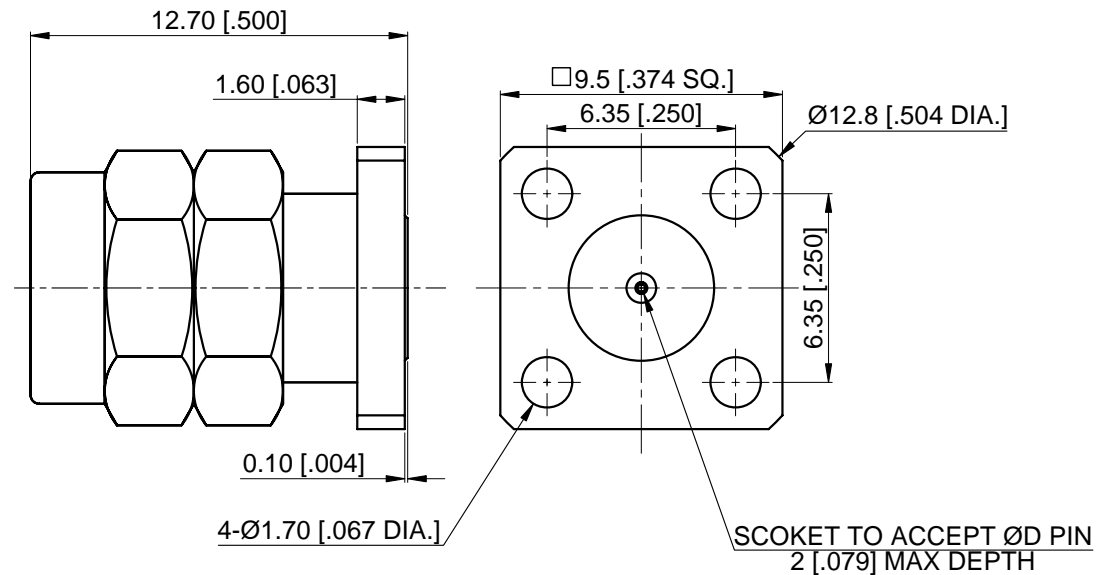
Temperature range	-55 °C ~ +165 °C
Durability (matings)	>500

Material data

Body	Stainless Steel (SU303), Passivated
Pin Contact	Beryllium Copper Alloy, Gold-plated
Insulator	PEI, PTFE

Interface Standards


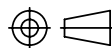
2.4mm	IEEE STD 287-2007
-------	-------------------



Part Number	ØD PIN
97-03-9F5-009A	0.23 [0.009]
97-03-9F5-009B	0.30 [0.012]
97-03-9F5-009C	0.51 [0.020]

NOTES:

- ALL SPECIFICATIONS ARE SUBJECT TO CHANGE WITHOUT NOTICE AT ANY TIME
- CUSTOMER OUTLINE DRAWING FOR REFERENCE ONLY

DRAWN: H. Xiao 08/04/10	TITLE:	 www.cmppter.com			
ENGINEER: YF. Zhu 08/04/10	2.4mm Straight Male, 4 Hole Flange, Accept Pin				
APPROVED: M. Dong 08/04/10		 DIMENSIONS IN MILLIMETERS (mm)			
TOLERANCE UNLESS OTHERWISE SPECIFIED	PART No.: 97-03-9F5-009			SIZE: A4	SCALE: 4:1
X ±0.50 [0.019"]					
.X ±0.20 [0.008"]					
.XX ±0.10 [0.004"]					
ANGLES ±1°					