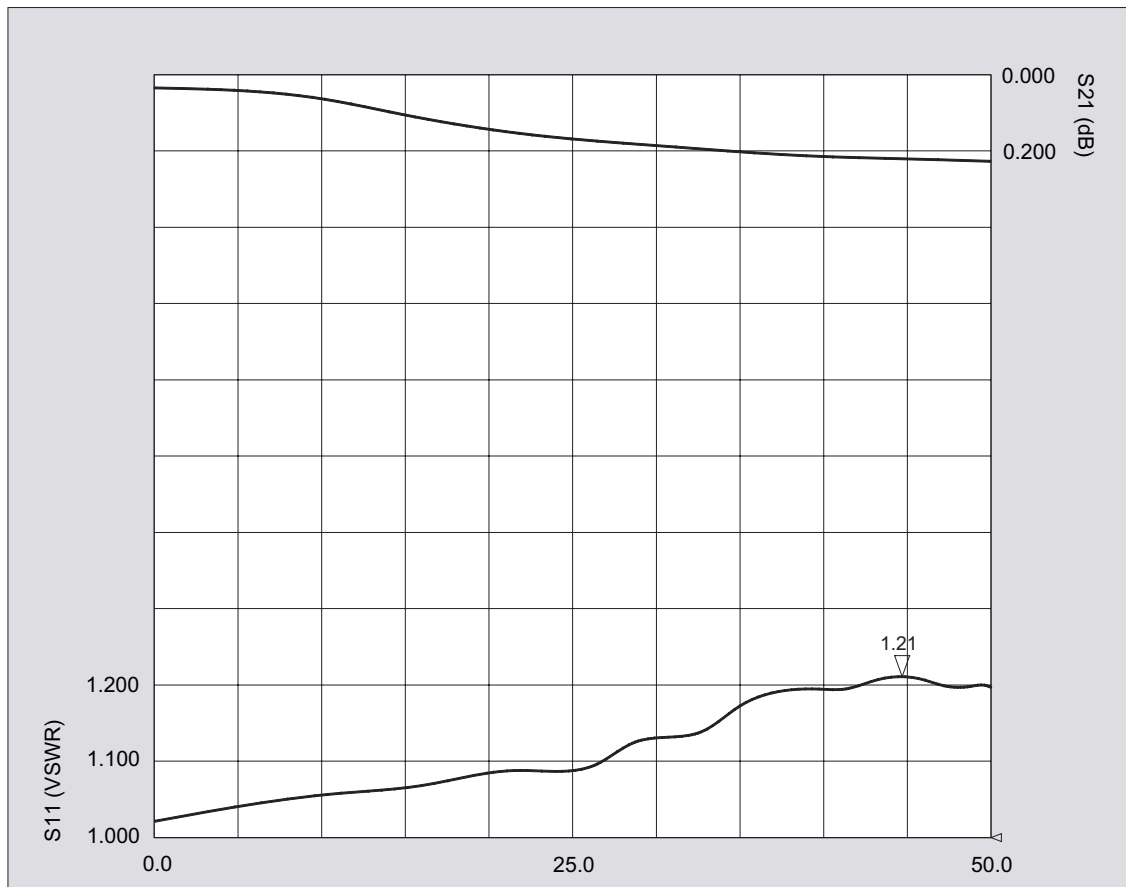
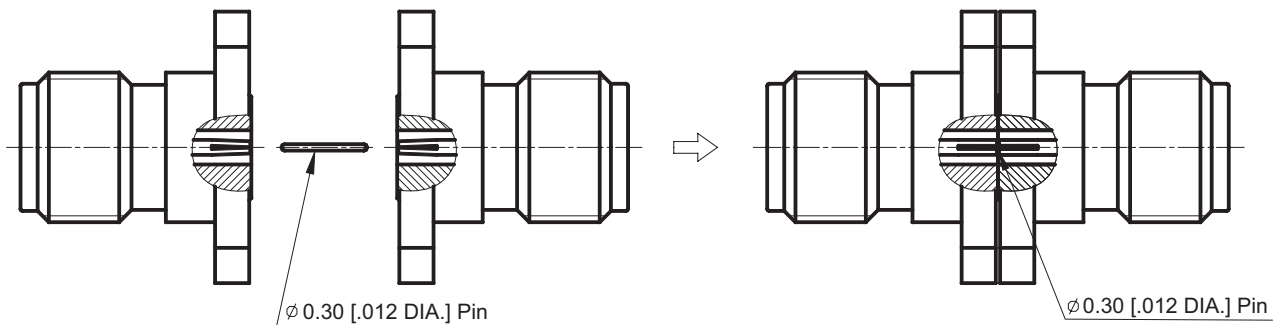


Typical Test Data for 2.4mm Connector

Back-to-Back Connector Testing

2.4mm connector is 50Ω precision connector designed to perform mode free to 50GHz. The outer conductor measures 2.4mm and the robust wall of the connector body is designed to engage before the center conductor, assuring a rugged, repeatable mating interface. The interface is air dielectric with the contact supported by a short dielectric bead.

Model No. 97-02-9F5-001B with .012" Test Pin



$\sqrt{1.21} = 1.10$ Maximum for each connector