

REVISIONS				
REV	DESCRIPTION OF REVISION	ECN No.	DATE	APPROVED
A	INITIAL RELEASE	—	08/02/2010	M. Dong

TECHNICAL DATA

Electrical

Impedance	50 Ω
Frequency range	0~40 GHz
VSWR	1.15:1
Contact resistance	
-centre contact	≤3mΩ
-outer contact	≤2mΩ
Dielectric withstanding volatage	>750V
Insulation resistance	≥3000MΩ

Mechanical & Environmental

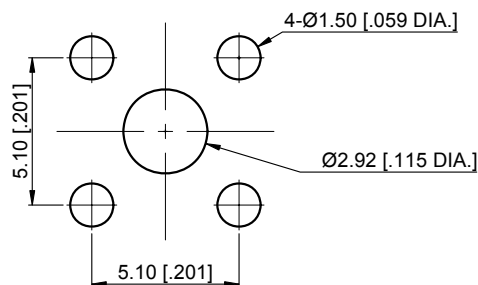
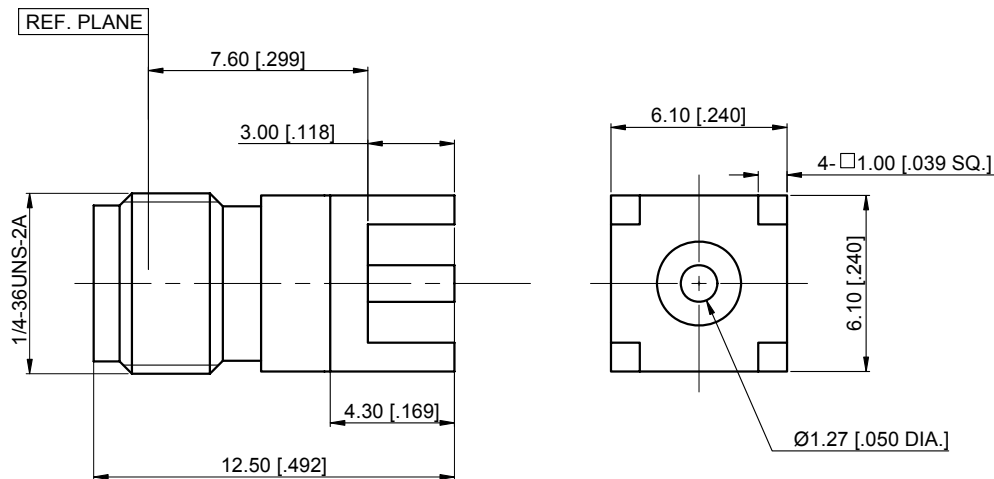
Durability (matings)	>500
Temperature range	-55 °C ~ +165 °C
RoHS Compliant	Yes

Material & Finish

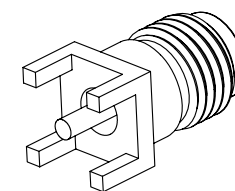
Body	Brass, Gold-plated
Pin Contact	Beryllium Copper Alloy, Gold-plated
Insulator	PEI

Interface Standards

2.92mm	MIL-STD-348A
--------	--------------



Recommended Mounting Hole



UNLESS OTHERWISE SPECIFIED, DIMENSIONS ARE IN MILLIMETERS [INCHES]. UNLESS OTHERWISE SPECIFIED DIMENSIONAL TOLERANCES ARE: XX ±0.13 [0.005"] X ±0.20 [0.008"] X ±0.50 [0.019"]	DRAWN: H. Xiao 08/02/2010
ANGULAR TOLERANCES ARE: ALL=±1°	CHECKED: YF. Zhu 08/02/2010
DO NOT SCALE DRAWING	APPROVED: M. Dong 08/02/2010
PROJECTION:	TITLE: 2.92mm Straight Female, PCB Mount

DRAWN: H. Xiao 08/02/2010	
CHECKED: YF. Zhu 08/02/2010	
APPROVED: M. Dong 08/02/2010	
TITLE: 2.92mm Straight Female, PCB Mount	

 Cmptter Electronics Co., Ltd. www.cmptter.com			
PART No.: 96-02-5M2-036			
SIZE: A4	SCALE: 4:1	SHEET: 1/1	REV: A

- NOTES:
- ALL SPECIFICATIONS ARE SUBJECT TO CHANGE WITHOUT NOTICE AT ANY TIME
 - UNLESS OTHERWISE SPECIFIED ALL DIMENSIONS ARE NOMINAL.