

REV	DESCRIPTION OF REVISION	ECN No.	BY	DATE	APPROVED
A	INITIAL RELEASE	—	H. Xiao	07/19/10	07/19/10

TECHNICAL DATA

Electrical data

Impedance	50 Ω
Frequency range	0~40 GHz
VSWR	1.15:1
Contact resistance	
-centre contact	$\leq 3\text{m}\Omega$
-outer contact	$\leq 2\text{m}\Omega$
Insulation resistance	$\geq 3000\text{M}\Omega$

Mechanical data

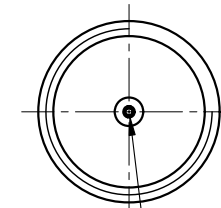
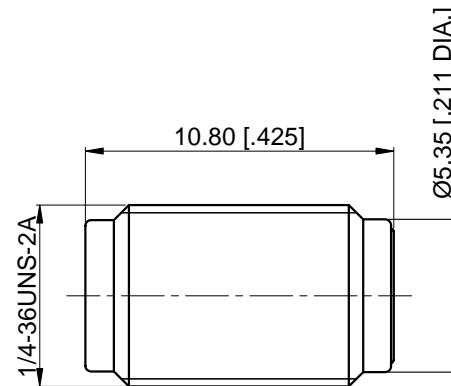
Temperature range	-55 $^{\circ}\text{C}$ ~ +165 $^{\circ}\text{C}$
Durability (matings)	>500

Material data

Body	Stainless Steel (SU303), Passivated
Pin Contact	Beryllium Copper Alloy, Gold-plated
Insulator	PEI

Interface Standards

2.92mm	MIL-STD-348A
--------	--------------


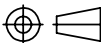


SCOKET TO ACCEPT ØD PIN
2 [.079] MAX DEPTH

Part Number	ØD PIN
96-02-9A5-007A	0.23 [.009]
96-02-9A5-007B	0.30 [.012]
96-02-9A5-007C	0.38 [.015]
96-02-9A5-007D	0.51 [.020]

NOTES:

- ALL SPECIFICATIONS ARE SUBJECT TO CHANGE WITHOUT NOTICE AT ANY TIME
- CUSTOMER OUTLINE DRAWING FOR REFERENCE ONLY

DRAWN: H. Xiao 07/19/10	TITLE:	 www.cmptter.com			
ENGINEER: YF. Zhu 07/19/10	2.92mm Straight Female, Bulkhead Thread in				
APPROVED: M. Dong 07/19/10		 DIMENSIONS IN MILLIMETERS (mm)			
TOLERANCE UNLESS OTHERWISE SPECIFIED	PART No.: 96-02-9A5-007				SIZE: A4
X ±0.50 [.019"]					
.X ±0.20 [.008"]					
.XX ±0.10 [.004"]					
ANGLES ±1°					